



OWNER'S MANUAL YETI SB4.5

TABLE OF CONTENTS

BRAND OVERVIEW	06
FRAME FEATURES	08
GEOMETRY	10
MAINTENANCE SCHEDULE	12
<i>SETUP</i>	
OVERVIEW	12
SHOCK SETUP	14
DERAILLEUR HANGER INSTALL	16
CABLE/LINE SETUP	18
<i>TECHNICAL</i>	
ASSEMBLY OVERVIEW	20
EXPLODED VIEWS	26
REBUILD KITS	30
<i>LEGAL</i>	
WARRANTY	34
CONTACT INFORMATION	35

CONGRATULATIONS ON YOUR PURCHASE OF A NEW YETI.

We are confident your new bicycle will exceed your expectations for value, performance, and ride quality. Each frameset and component has been carefully selected and designed to enhance your riding experience. Whether you are a beginner cyclist, or a seasoned pro, your Yeti bicycle will provide endless hours of two-wheeled fun.

This model specific manual is designed to be used in conjunction with the general Yeti Owner's Manual and the manuals supplied by the suspension manufactures. If you did not receive the Yeti owner's manual or the manual provided by the suspension manufacturer download the materials off the Internet, or contact your local dealer.

Bicycling can be a hazardous activity even under the best of circumstances. Proper maintenance of your bicycle is your responsibility and when done properly helps reduce the risk of injury and damage to your bicycle.

Warning: Make sure you review and understand the warnings, instructions, and content of this manual and accompanying manuals for your bicycle.

Warning: Technological advances have made bicycles and bicycle components more complex and the pace of innovation is increasing. It is impossible for this manual or the accompanying manuals to provide all the information required to properly repair and/or maintain your bicycle. In order to help minimize the chances of an injury, it is critical for you to have work performed by an authorized Yeti retailer.

This manual outlines basic setup and maintenance recommendations of your new Yeti. Because it is impossible to anticipate every situation or condition that may occur during the assembly, setup, and maintenance of your bicycle, Yeti recommends that all service and repairs be performed by your local authorized Yeti Dealer.

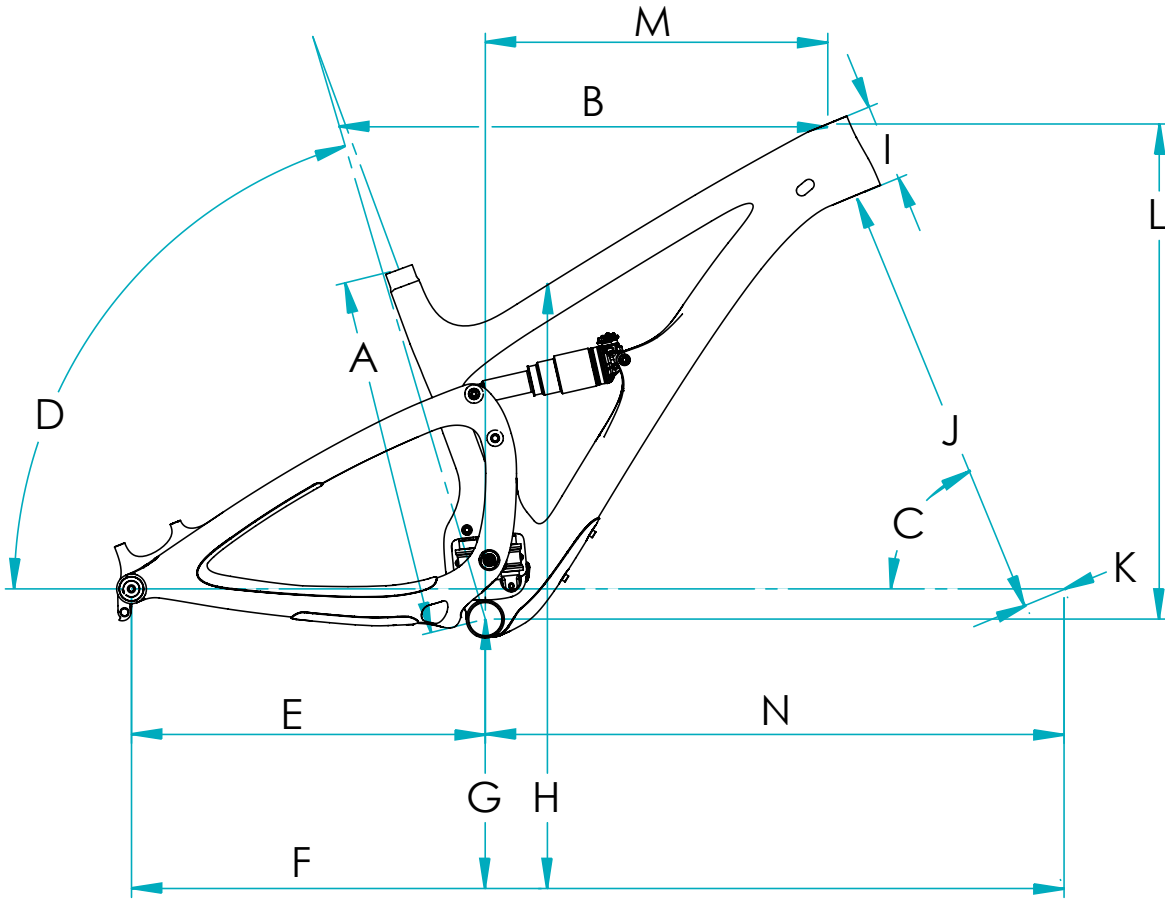
This manual contains many "Warnings" and "Cautions" concerning the consequences of failure to maintain or inspect your bicycle. The word "Warning" indicates a potentially hazardous situation in which, if not avoided, could result in serious injury or death. The word "Caution" indicates a potentially hazardous situation in which, if not avoided may result in minor injuries or damage to your bicycle or a component of your bicycle. Be sure to read and understand all of the Warnings and Cautions listed in the manual.

THE LOWDOWN ON THE SB4.5 AND ITS FEATURES.

1. SWITCH INFINITY TECHNOLOGY PATENTED SUSPENSION SYSTEM
2. HIGH MODULUS CARBON FIBER MAIN FRAME AND SWING ARM
3. COLLET AXLE SYSTEM ON PIVOTS REDUCES BEARING WEAR
4. OPTIMIZED FOR 1X DRIVETRAINS ONLY
5. TAPERED INSET HEAD TUBE (44MM/56MM)
6. SUSPENSION BY FOX (7.5 X 2.0)
7. CUSTOM DEBRIS AND CHAIN SLAP GUARDS
8. INTERNAL CABLE ROUTING
9. INTEGRATED AXLE AND DERAILLEUR HANGER SYSTEM

1. The SB4.5 delivers 4.5 inches (114mm) of travel with our patented Switch Infinity Technology. Efficient pedaling performance while still smooth and continuous when the going gets rough.
2. High modulus carbon provides a stiff, strong and light weight chassis. (5.4 lbs)
3. Colleted pivot axles help create a stiff interface between the front and rear triangles of the frame. Custom Enduro Max sealed bearings keep things moving freely at the pivots.
4. The SB4.5 does away with the front derailleur mount, making it a 1x drive specific frame. This increases stiffness in the frame, making the SB4.5 one of the stiffest bikes in our lineup.
5. Using our inset head tube on the SB4.5 allows for a larger head tube with more area, increased stiffness, and lower overall ride height without compromising any performance.
6. The SB4.5 uses a 2 inch stroke, 7.5 inch eye to eye Float EVOL shock, by Fox Racing Shox.
7. Custom guards on the seat stay, chain stay and down tube keep things quiet while riding and protect the frame.
8. The SB4.5 features internal routing for all cables, making the bike quiet and clean looking as well as reducing cable rub on the paint.
9. Dedicated 12 x 148 Boost dropouts and integrated hanger with axle threads for strength, stiffness, ease of hanger and wheel installation.

GEOMETRY



FOX 34 / 140MM FORK

	SM	MD	LG	XL
A SEAT TUBE LENGTH	419	445	483	521
B TOPTUBE LENGTH	579	605	630	655
C HEADTUBE ANGLE	67.4	67.4	67.4	67.4
D EFF. SEATTUBE ANGLE	73.3	73.3	73.3	73.3
E CHAIN STAY LENGTH	437	437	437	437
F WHEELBASE	1127	1153	1180	1207
G ESTIMATED BB HEIGHT	334	334	334	334
H STANDOVER	751	751	751	751
I HEADTUBE LENGTH	90	95	105	120
J AXLE TO CROWN	547	547	547	547
K OFFSET	51	51	51	51
L STACK	608	613	622	636
M REACH	397	421	444	465
N FRONT CENTER	690	716	743	770

*All measurements are in millimeters

FIT

SMALL 5'3" (160 CM) - 5'7" (170 CM)

MEDIUM 5'7" (170 CM) - 5'11" (180 CM)

LARGE 5'11" (180 CM) - 6'3" (191 CM)

X-LARGE 6'1" (185 CM) - 6'6" (198 CM)

KEEP YOUR YETI FRESH AND CLEAN

OVERVIEW

Following these guidelines will help maintain the performance of your bicycle and prevent more serious problems from arising. It is important to remember that service intervals can vary depending on climate, trail conditions and riding frequency. If you are unsure about working on your own bicycle, contact your authorized Yeti Dealer or visit the repair help section at www.parktool.com for more information on general bicycle maintenance.

SCHEDULE

	WEEKLY	MONTHLY	3 MONTHS	ANNUALLY
CLEAN AND LUBE CHAIN	■			
CHECK TIRE PRESSURE	■			
CLEAN BIKE OF MUD AND DEBRIS	■			
CHECK BRAKE FUNCTION	■			
CHECK SHOCK PRESSURE, IF APPLICABLE	■			
CHECK FOR LOOSE BOLTS AND TIGHTEN, IF NECESSARY	■			
CHECK HEADSET AND TIGHTEN / LOOSEN, IF NECESSARY		■		
THOROUGHLY CLEAN PIVOT POINTS WITH A RAG (DO NOT LUBRICATE)		■		
LUBE INFINITY LINK EVERY 40 HRS. (YETI HEAVY MOLYBDENUM GREASE)		■		
REPLACE BRAKE PADS, IF NECESSARY			■	
CHECK TIRES FOR WEAR			■	
CHECK SPOKE TENSION AND RETENTION, IF NECESSARY			■	
CHECK CHAIN FOR WEAR AND REPLACE IF NECESSARY			■	
COMPLETE TUNE-UP PERFORMED BY AN AUTHORIZED YETI DEALER				■

TORQUE

Yeti strongly recommends using a torque wrench when assembling your frame. Torque specifications for individual parts on the SB4.5 are listed below, as well as in the step by step assembly instructions later in the manual. For general bicycle maintenance please consult the torque specifications of the component you are adjusting.

KEY TORQUE SPECS

PART NUMBER	DESCRIPTION	TORQUE (NM)
300030151	BOLT TI MALE M6X1X12MM	7
300030057	INFINITY LINK BOLTS	12
300040484	UPPER LINK COLLET AXLE	3
300040486	UPPER LINK COLLET WEDGE	8
300040483	LOWER LINK COLLET AXLE	3
300040486	LOWER LINK COLLET WEDGE	8
300040485	MAIN PIVOT COLLET AXLE	3.5
300040454	MAIN PIVOT COLLET WEDGE	14

SHOCK SETUP

YETI TIPS

Inspect your shock for any visible damage. If oil is leaking or you notice any damage to the surfaces or seals, please contact the Fox Racing Shox service center for repair at 800. FOX.SHOX or your local bike shop.

Shock set-up can fluctuate greatly based on the rider. The set-up guide is intended as a base line to get the rider started. Experiment with your settings to find the set-up that works best for you.

We recommend starting out with 30% sag, which is 15.25mm of shock stroke.

TOOLS NEEDED

- Shock Pump
- Metric Tape Measure



QUICK START GUIDE

ADJUSTMENT	SETTING
AIR SPRING SETTING (PSI)	RIDER WEIGHT LESS 15 PSI
MEASURED SAG (MM)	15.25MM
REBOUND	*5 CLICKS
TRAIL ADJUST	OPEN (DESCEND)

**All clicks are counted clockwise, rotating from the all the way out or counter - clockwise dial position.*



01. AIR PRESSURE

The main air spring controls sag. For the SB4.5 to ride properly it is important to setup the shock with the correct amount of sag. The SB4.5 works best with 15.25MM of measured sag. To increase sag, reduce the main spring air pressure. To reduce sag, increase the main spring air pressure. Cycle the shock at least 10 times to equalize the EVOL chamber before measuring sag.



02. SAG

Once you have set your baseline air pressure and cycled the shock you are ready to measure the sag. To measure the sag slide the travel indicator (O-Ring) up against the shock body. With a friend supporting the bike and with the shock in "open," sit on the saddle (do not bounce) and allow your body weight to compress the shock. Once you have compressed the shock, get off the bike and measure the distance between the shock body and the new position of the travel indicator (O-Ring). This is your sag.



03. REBOUND

Rebound is adjusted using the red knob on top of the shock. Clockwise will slow the rebound, counter clockwise will speed it up. Rebound needs to be tuned to rider preference and air spring pressure. Too slow and the bike will feel like it is not ready for the next bump. Too fast and it will feel like the bike is bucking you off after an impact.



04. COMPRESSION

Low-speed compression is adjusted in the "open" position, using the black tabs and has 3 positions. 1 is wide open, 3 is more firm. This adjustment is subtle. The blue lever has 3 positions: Open, Medium and Firm. For our bikes, unless you are on pavement on the way to the trail, we recommend using the "open" setting. The Switch Infinity design will do the rest.

DERAILLEUR HANGER INSTALL

YETI TIPS

NOTE: The hanger cap is REVERSE THREADED. Be careful not to strip out the Hanger tool faces. The cap is marked with a tighten direction arrow.

TOOLS NEEDED

- 6mm Allen key
- Grease

Inspect the frame around the hanger seat for any suspicious damage any time you replace a hanger, especially if you are replacing it due to damage.



01. HANGER SEAT

Lightly grease the outside surface of the hanger where it interfaces with the frame. The hanger will fit into its space on the inside of the swing arm and should press easily into the frame.



02. HANGER CAP SEAT

Lightly grease the threads on the hanger cap. The hanger cap REVERSE threads into the hanger from the outside of the swing arm. Hand thread the cap into the hanger.



03. TIGHTENING

Using a 6mm allen key, tighten the hanger cap into the hanger. REMEMBER, it is REVERSE THREADED. Follow the "Tighten" arrow on the cap. Finish tightening with a torque wrench if available.

**Torque to 80 in/lbs (9Nm)*



04. COMPLETED

The installed hanger and cap should look like this, sitting flush against the frame on both the inside and outside of the swing arm. If the hanger or cap are not sitting flush against the frame, remove them and inspect the frame surfaces for debris as well as the threads for damage.

CABLE SETUP

The SB4.5 uses internally routed full length cable housing. By using full cable housing, we have eliminated break points in the line of your shifter housing. This allows for better overall shifting performance by reducing the entrance of unwanted elements such as sweat and sediment. By routing that housing internally we add to the protection from the elements and clean up the lines of the bike. No more zip ties to snag your shorts on and no more loose housing rattling around on your paint.

Do not remove any of the housing guide tubes that are installed in your new frame and swing arm. They will be used to pull your housing through the frame. If you are replacing used housing, use the old housing to pull your new housing through the frame.

If you don't have the guide tubes or old housing you can fish the housings through the frame, but it will be easier to use an internal cable routing tool.

Caution: The failure to properly route shifter housing can cause malfunction of the shift mechanism and unexpected shifting of gears.



REAR DERAILLEUR CONTINUED

The rear derailleur housing will exit the swing arm via the port on the top of the seat stay, right above the rear derailleur. Create a gentle curve to the derailleur and adjust to the manufacturers specifications.



REAR BRAKE CONTINUED

The rear brake housing exits the swing arm on the inside of the chain stay and goes directly up to the caliper. If your caliper allows, adjust the housing attachment angle to reduce the bend in the cable as much as possible.



REAR BRAKE AND DERAILLEUR

Your rear brake and shifter housing should run parallel around the left side of the head tube. Run the shifter housing and the brake housing into the individual ports at the head tube and thread them down into the down tube toward the exit ports above the Infinity Link. The shift housing comes out of the port on the drive side and goes immediately into the corresponding port on the swing arm. The brake housing does the same on the non-drive side.

NOTE: Using rubbing alcohol to help the housing pass through the grommets in the frame as you thread them.

Also, starting at the back of the bike and working forward will be necessary for some brake systems.



INTERNALLY ROUTED SEAT POST

The SB4.5 is designed to use an internally routed dropper post. The housing should be routed from the post forward. Guide your housing through the seat tube and into the down tube use the guide tube installed in our new frames, or use the old housing if you are replacing the line on a used bike. The line should exit the down tube at the head tube on the drive side and curve around the head tube to the lever on the left side of the bar. If you are mounting your lever on the right side, you would simply route that housing over to the right. If you do route to the right we recommend placing some clear vinyl in front of the port to prevent cable rub.

FRAME ASSEMBLY

YETI TIPS

Make sure your tools are in good condition. A worn allen key can round the hex on a bolt not allowing for proper torque.

Torque settings are listed throughout the instructions. It is important to prep all bolt threads. The instructions denote whether to use a Loctite compound or grease.

Warning: Service on Yeti bicycles requires special knowledge and tools. Yeti Cycles recommends that all service and repairs be performed by an authorized Yeti Dealer

TOOLS NEEDED

- 2.5mm allen key
- Two - 5mm allen keys
- Two - 6mm allen keys
- 10mm allen key
- Guide pin tool
- Grease
- Blue (242) Loctite
- Pink (222) Loctite
- Torque wrench



01.

All the parts you'll need to get your SB4.5 frame assembled. Please refer to to the exploded view later in this manual for more information.



02.

Slip washers onto and apply blue (242) Loctite to the 4 bolts that secure the Switch Infinity Link to the frame. Insert them into their place and hang the black fitting washers from them. Place washers with the flat side flush to the frame and opening.



03.

Insert the Infinity Link from the non-drive side. The Infinity logo should be up and the Fox logos facing the non-drive side. Rock the link into place capturing the black fitting washers. Make sure that they have not slipped or rotated. The flat end of the fitting washers must be facing the opening in the frame and they must nestle into the Infinity Link stanchions.

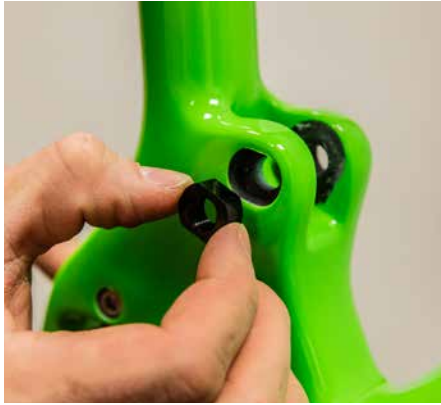


04.

While holding the link in place lightly tighten the bolts. You want them to snug so that the link does not move and so that the fitting washers are fully captured, but don't try to torque them by hand! Finish the job with a torque wrench.

*Torque to 12 Nm





05.

Place the keyed alloy collet axle nut into its corresponding inset in the frame.



06.

Apply a small amount of grease to the bearings on the smaller end of the link to help hold the link spacers in place while you install it.



09.

Prep the inside of the collet axle and the threads of the collet wedge bolt with grease. Using a 4mm allen, thread the collet wedge into the collet axle. Finish with a torque wrench. Wipe up any excess grease around the collet axle when done.

**Torque: 8Nm*



10.

Prepare the swing arm by inserting the alloy collet axle nuts in their corresponding insets and peeling the blue protective film off of your chain-suck protector.



07.

Apply blue Loctite (242) to the threads of the collet axle and a light amount of grease on the shaft. Slip the link into place in the front triangle and slide the collet axle through it to hold it in place. Thread the axle into the keyed nut using a 5mm allen, but do not over tighten.

**Torque: 3Nm*



08.

Using a torque wrench with a 5mm allen, finish tightening the lower link collet axle.

**Torque: 8Nm*



11.

Grease the main pivot collet axle shaft and threads. Then, slide the main pivot into place. Insert the main pivot collet axle. Use your guide pin to help guide the axle through the bearing spacer and bearings.



12.

Using a 10mm allen, thread the collet axle into the nut on the far side and hand tighten. Use a torque wrench to finish tightening the collet axle.

**Torque: 3.5Nm*





13.

Lightly grease the upper link bearings to stick the upper link pivot spacers in place while you slide the link into the swing arm.



14.

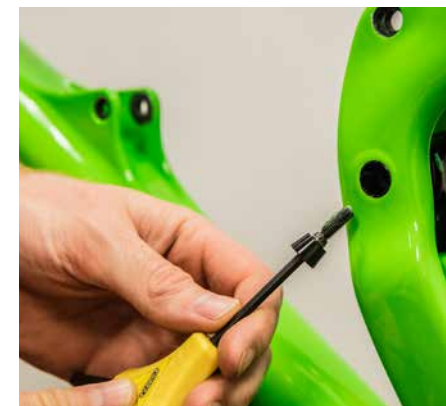
Apply blue Loctite (242) to the threads and grease on the shaft of the upper link collet axle. Guide the collet axle through the swing arm and link using a guide pin. Hand thread the collet axle into the nut using a 5mm allen. ****Do not torque at this time!** You need to leave the upper link pivot a little loose to assist in installing the shock.



17.

Finish the rear shock install by threading the Ti male bolt with a 6.5mm washer on it into the shock pin. Using a 5mm allen and a torque wrench finish tightening.

**Torque to 7Nm*



18.

Torque the upper link collet axle to 8Nm. Grease the inside of the collet axle and the threads of the collet wedge bolt and install using a 4mm allen. Finish with a torque wrench.

**Torque:*

*Upper link collet axle - 3Nm
Upper link collet wedge - 8Nm*



15.

Install the rear shock using guide pins to hold it in place.



16.

Apply Blue Loctite (242) to a Ti male bolt and thread into one end of the pivot axle and tighten until flush. Place the 8.5mm washer over the rear shock pin. Using the shock pivot axle, slide the guide pin out the far side of the swing arm. Repeat up front using the front (shorter) shock pivot axle.



19.

Grease the inside of the main pivot collet axle and the threads on the collet wedge. Using a 5mm allen, thread the collet wedge into the collet axle. Finish with a torque wrench.

**Torque: 14Nm*

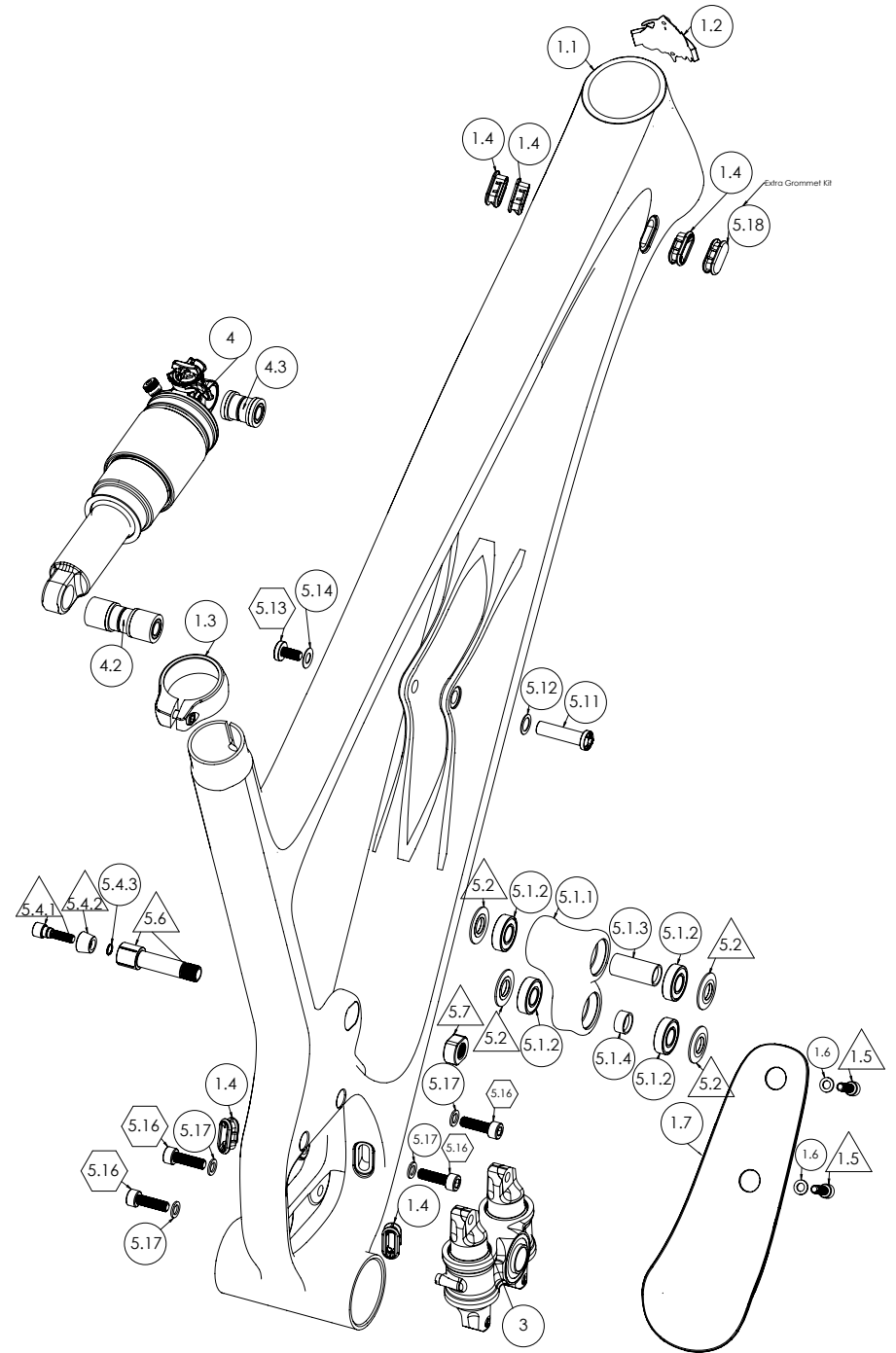
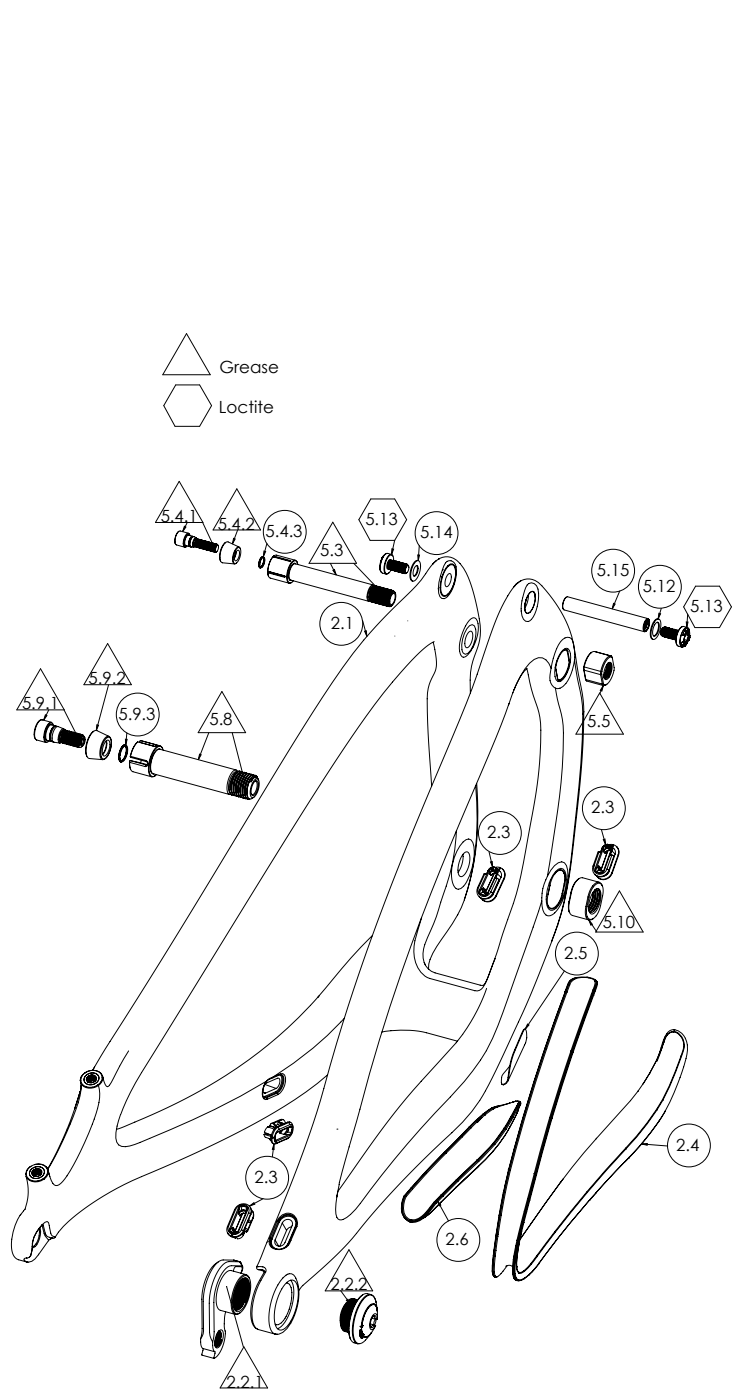


20.

Finish by wiping up any excess grease from the assembly process. Double check your torque on accessible bolts and get ready to install your parts!

FRAME ASSEMBLY IS COMPLETE.

EXPLODED VIEW



EXPLODED VIEW PARTS LIST

ITEM#	PART #	DESCRIPTION	QTY
1	N/A	SB4.5 FRONT TRIANGLE ASSEMBLY	
1.1	N/A	SB4.5 FRONT TRIANGLE	1
1.2	300070006	ICE AXE HEAD BADGE	1
1.3	300060072	YETI SEAT CLAMP STANDARD	1
1.4	300040491	SLOT PORT GROMMET	5
1.5	300030010	BOLT-CAP H20 (M5 X 0.8 X 16MM)	2
1.6	300030148	WASHER 5.1X8.9X1MM	2
1.7	400100127	SB4.5 DT PROTECTOR	1
2	N/A	SB4.5 SWING ARM ASSEMBLY	
2.1	N/A	SB4.5 SWING ARM	1
2.2	300060073	12X148 HANGER STD KIT GEN3	1
2.2.1	300060074	12X148 HANGER STANDARD GEN3	1
2.2.2	300060075	12X148 HANGER CAP GEN3	1
2.3	300040491	SLOT PORT GROMMET	4
2.4	400100128	SB4.5 CS/SS PROTECTOR	1
2.5	400100129	SB4.5 CHAIN SUCK GUARD	1
2.6	400100130	SB4.5 CS LOWER PROTECTOR	1
3	200020201	FOX LINEAR BEARING 74.0MM ASSEMBLY	
4	N/A	SHOCK ASSEMBLY SB4.5	
4.1	N/A	FOX FLOAT DPS 7.5X2.0	1
4.2	214-09-035	FOX MOUNT KIT 44.856MM (45MM)	1
4.3	214-09-006	FOX MOUNT KIT 21.84MM (22MM)	1
5	N/A	SB4.5 ASSEMBLY PARTS	
5.1	200020238	SB4.5 LINK ASSEMBLY	1
5.1.1	300040481	SB4.5 LINK	1
5.1.2	300020050	BEARING 6900-2RS-MAX 22X10X6	4
5.1.3	300030281	SPACER 10MM X 29.0MM	1

ITEM#	PART #	DESCRIPTION	QTY
5.1.4	300030282	SPACER 10MM X 6.0MM	1
5.2	300020049	INNER RACE EXTENDER 10MM	4
5.3	300040484	COLLET AXLE 10X53.5X13.0 M10X1.0	1
5.4	300040486	COLLET WEDGE SUB-ASSEMBLY 10MM	2
5.4.1	300030284	COLLET BOLT M5X.8	1
5.4.2	300030283	COLLET WEDGE 10MM	1
5.4.3	300040482	SPIRAL RETAINING RING	1
5.5	300030286	COLLET NUT M10X1X12MM	1
5.6	300040483	COLLET AXLE 10X30.5X9.0 M10X1.0	1
5.7	300030287	COLLET NUT M10X1X8MM	1
5.8	300040485	COLLET AXLE 15X52.5SX13.0T M15X1.5	1
5.9	300040454	COLLET WEDGE SUB-ASSEMBLY GEN2	1
5.9.1	300030268	COLLET BOLT M8X1.25	1
5.9.2	300030267	COLLET WEDGE 15MM	1
5.9.3	300040450	SPIRAL RETAINING RING	1
5.1	300030285	COLLET NUT M15X1.5X12MM	1
5.11	300030262	BOLT TI FEMALE 8.0X31.0MM GEN2	1
5.12	300030069	WASHER 8.5X12.5X0.5 MM	2
5.13	300030151	BOLT TI MALE M6X12.0MM	3
5.14	300030062	WASHER 6.5X12.5X0.5 MM	2
5.15	300030288	BOLT TI STUD 8.0X54.0MM	1
5.16	300030057	BOLT-CAP (M6 X 1 X 20 MM)	4
5.17	300030214	WASHER (10X6.2X1MM)	4
5.18	300040474	BLANK PORT GROMMET	1

REBUILD KITS

PART #	DESCRIPTION	QTY
200020251	SB4.5 MASTER REBUILD KIT	
300020049	BEARING RACE EXTENDER 23X10	4
300020050	BEARING 6900 2RS MAX 22X10X6	4
300030057	BOLT CAP M6X1X20	4
300030062	WASHER SS 6.5MM ID 12.5 OD .5M	2
300030069	WASHER SS 8.5MM ID 12.5MM OD	2
300030151	BOLT TI MALE M6X 12MM	3
300030214	WASHER 10 X 6.2 X 1	4
300030262	BOLT TI FEMALE 8.0X31.0MM GEN2	1
300030281	SPACER 10X29.0MM	1
300030282	SPACER 10X6.0MM	1
300030285	COLLET AXLE NUT M15X1.5X12	1
300030286	COLLET AXLE NUT M10X1X12	1
300030287	COLLET AXLE NUT M10X1X8	1
300030288	STUD TI FEMALE 8X54.0MM	1
300040454	COLLET-WEDGE ASSEMBLY GEN2	1
300040474	BLANK PORT GROMMET	1
300040483	AXLE COLLET 10X30.5SX9T	1
300040484	AXLE COLLET 10X53.5SX13T	1
300040485	AXLE COLLET 15X52.5SX13T	1
300040486	COLLET-WEDGE ASSEMBLY - M10	2
300040491	SLOT PORT GROMMET	9
200020253	SB4.5 BEARING KIT	
300020050	BEARING 6900 2RS MAX	4

PART #	DESCRIPTION	QTY
	SB4.5 BEARING KIT CONTINUED	
300030281	SPACER 10X29.0MM	1
300030282	SPACER 10X6.0MM	1
200020252	SB4.5 HARDWAR REBUILD KIT	
300020049	BEARING RACE EXTENDER 23X10	4
300030057	BOLT CAP M6X1X20	4
300030062	WASHER SS 6.5MM ID 12.5 OD .5M	2
300030069	WASHER SS 8.5MM ID 12.5MM OD	2
300030151	BOLT TI MALE M6X12MM	3
300030214	WASHER 10 X 6.2 X 1	4
300030262	BOLT TI FEMALE 8.0X31.0MM GEN2	1
300030285	COLLET AXLE NUT M15X1.5X12	1
300030286	COLLET AXLE NUT M10X1X12	1
300030287	COLLET AXLE NUT M10X1X8	1
300030288	STUD TI FEMALE 8X54.0MM	1
300040454	COLLET-WEDGE ASSEMBLY GEN2	1
300040483	AXLE COLLET 10X30.5SX9T	1
300040484	AXLE COLLET 10X53.5SX13T	1
300040485	AXLE COLLET 15X52.5SX13T	1
300040486	COLLET WEDGE ASSEMBLY - M10	2
200020231	FOX LINEAR BEARING 74.0MM SB4.5	
200020201	FOX LINEAR BEARING 74.0MM ASSE	1
300030057	BOLT CAP M6X1X20	4
300030214	WASHER 10 X 6.2 X 1	4

REBUILD KITS CONTINUED

PART #	DESCRIPTION	QTY
400100139	SB4.5 PROTECTOR KIT	
400100127	PROTECTOR SB4.5 DT	1
400100128	PROTECTOR SB4.5 CS/SS	1
400100129	PROTECTOR SB4.5 CHAIN SUCK	1
400100130	PROTECTOR SB4.5 CS LOWER	1
200020254	SB4.5 CABLE GUIDE KIT	
300040474	BLANK PORT GROMMET	1
300040491	SLOT PORT GROMMET	9
	SB4.5 MISCELLANEOUS PARTS	
200020248	LINK SB4.5 W/BEARING GLOSS 16	
200020259	LINK SB4.5 W/BEARING MATTE 16	
300060073	12X148 HANGER STD KIT GEN3 BLACK	
300060077	12X148 HANGER STD KIT GEN3 TU	

WARRANTY

YETI LIMITED (5) FIVE YEAR FRAME WARRANTY

(applies to SB5.5 / SB4.5 / SB5 / Beti SB5 / SB5+ / SB6 / Infinity Link)

Yeti Cycles will repair or replace, at its option, any of the above listed frames it determines to be defective due to defective materials and/or workmanship. The (5) five year limited warranty is conditioned upon the bicycle being ridden under normal conditions and having been properly maintained. This warranty does not apply to the components attached to the frameset such as suspension components, wheels, drive train, brakes, seat post, handlebar and stem. This warranty applies only to the original owner and is non-transferable. This warranty is void if the bicycle was not properly assembled by an authorized Yeti dealer.

ADDITIONAL CONDITIONS

These limited warranties do not apply to normal wear and tear, nor to claimed defects, malfunctions or failures that result from abuse, neglect, improper assembly, improper maintenance, alteration, collision, crash or misuse. The original owner shall pay all labor charges connected with the repair or removal of all components. Under no circumstance does this limited warranty include the cost of travel or shipment to and from an authorized Yeti dealer. In order to exercise your rights under these limited warranties, the bicycle or frameset must be presented to an authorized Yeti dealer, together with proof of purchase.

**The above warranties have been in effect since January 2012. For warranty information on Yeti frames sold prior to that date please consult your local authorized dealer.*

NO FAULT REPLACEMENT POLICY

Yeti Cycles will make replacement parts available at a minimum charge to the original owner in the event of a crash or any other non-warranty situation. Yeti Cycles does this at its sole discretion and reserves the right to refuse this offer.

PRODUCT LIFE CYCLE

Every YETI frameset has a useful product life cycle. The length of that useful product life cycle will vary depending on the construction and the materials of the frameset, maintenance and care the frameset receives, and the amount and type of use the frameset is subjected to over its life. YETI recommends that an authorized YETI dealer should inspect the frame for stress annually. Frame stress could cause potential failure and the signs are usually apparent in the form of cracks, fracture lines, deformation, dents, and any other visual indicators of abnormality. These safety checks for frame stress are important to prevent accidents, injury to the cyclist, and product failure of a YETI frameset.

DISCLAIMER

YETI Cycles is not responsible for any damages to you or others arising from riding, transporting or other use of your bicycle. In the event that your frame breaks or malfunctions, YETI Cycles shall have no liability or obligation beyond the repair or replacement of your frame pursuant to the terms outlined in the warranty.

**If you have a warranty concern, please contact your authorized Yeti dealer.*

YETI CYCLES

621 Corporate Circle, Unit B
Golden, CO 80401
(p) 303-278-6909
(f) 303-278-6906
www.yeticycles.com

BUSINESS HOURS

Monday-Friday
8AM-11:30AM, 1:00PM-5:30PM
(Mountain Time)