



OWNER'S MANUAL 2014 YETI ARC CARBON

YETI CYCLES

621 Corporate Circle, Unit B
Golden, CO 80401
888.576.9384

www.yeticycles.com

YETI
CYCLES

TABLE OF CONTENTS

BRAND OVERVIEW	01
FRAME FEATURES	04
GEOMETRY	08
MAINTENANCE SCHEDULE	10
CABLE SETUP	11
DROPOUT OVERVIEW	16
WARRANTY / LEGAL	18
CONTACT INFORMATION	19

CONGRATULATIONS ON YOUR PURCHASE OF A NEW YETI.

We are confident your new bicycle will exceed your expectations for value, performance, and ride quality. Each frameset and component has been custom specified and designed to enhance your riding experience. Whether you are a beginner cyclist, or a seasoned pro, your Yeti bicycle will provide endless hours of two-wheeled fun.

This model specific manual is designed to be used in conjunction with the general Yeti Owner's Manual and the manuals supplied by the suspension manufactures. If you did not receive the Yeti owner's manual or the manual provided by the suspension manufacturer download the materials off the Internet, or contact your local dealer.

Bicycling can be a hazardous activity even under the best of circumstances. Proper maintenance of your bicycle is your responsibility and when done properly helps reduce the risk of injury and damage to your bicycle.

This manual outlines basic setup and maintenance recommendations of your new Yeti. Because it is impossible to anticipate every situation or condition that may occur during the assembly, setup, and maintenance of your bicycle, Yeti recommends that all service and repairs be performed by your local authorized Yeti Dealer.

This manual contains many "Warnings" and "Cautions" concerning the consequences of failure to maintain or inspect your bicycle. The word "Warning" indicates a potentially hazardous situation in which, if not avoided, could result in serious injury or death. The word "Caution" indicates a potentially hazardous situation in which, if not avoided may result in minor injuries or damage to your bicycle or a component of your bicycle. Be sure to read and understand all of the Warnings and Cautions listed in the manual.

Warning: Make sure you review and understand the warnings, instructions, and content of this manual and accompanying manuals for your bicycle.

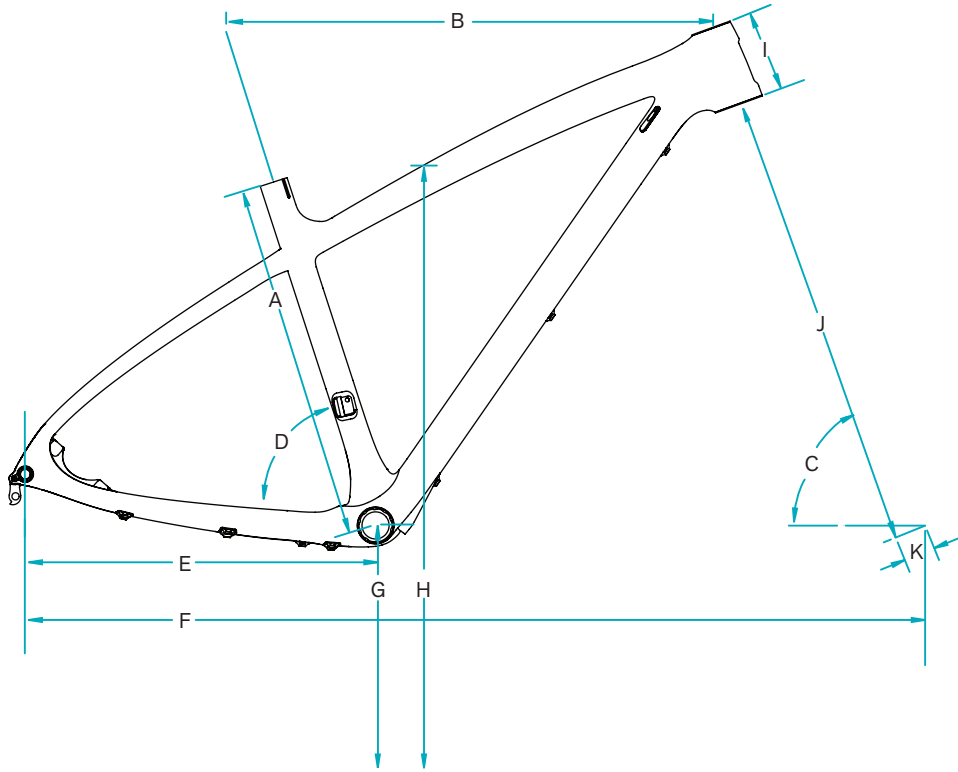
Warning: Technological advances have made bicycles and bicycle components more complex and the pace of innovation is increasing. It is impossible for this manual or the accompanying manuals to provide all the information required to properly repair and/or maintain your bicycle. In order to help minimize the chances of an injury, it is critical for you to have work performed by an authorized Yeti retailer.

A 29'R HARDTAIL WITH A TRUE YETI FEEL.

1. HIGH MODULOUS CARBON FIBER CONSTRUCTION
2. SPLINED BB SHELL ACCEPTS REMOVABLE ISCG 03/05 TABS
3. INTERNALLY ROUTED SHIFTING CABLES
4. TAPERED INSET HEADTUBE (44MM/56MM)
5. DIRECT MOUNT FRONT DERAILLEUR
6. DEDICATED 12MM X 142 THRU AXLE DROPOUT
7. 27.5 / 650B WHEELS ON SM AND XS SIZES FOR BETTER FIT

1. Our high modulus carbo construction gives uncompromised stiffness, light weight and ride quality. It is not often that you can get all of those things in one package.
2. The splined BB shell can accept a removable ISCG 03' or 05' tab. The splined system is lighter than a conventional welded tab and allows for a myriad of chain-guide options.
3. Internally routed shift cables give the ARC Carbon a clean look as well as keeping the cables running smoother longer.
4. Using our inset headtube on the ARC Carbon allows for a larger headtube with, increased stiffness, and lower overall ride height.
5. Mounting a direct mount (E-type) front derailleur to the ARC Carbon is easier than ever. This also allows the derailleur to move with the drivetrain while the suspension cycles giving you more consistant shifting.
6. The dedicated 142mm x 12mm Shimano thru-axle gives the ARC Carbon uncompromising stiffness and easy wheel removal.
7. When we were designing the ARC Carbon we wanted a bike that anyone could ride. When it came down to sizing and proportions for our smaller riders, 29 inch wheels simply did not make the most sense. We chose 27.5 (or 650B) wheels for the small and extra small frame sizes. That allowed a proper proportion and fit in that size range.

GEOMETRY



100 MM FORK

	XS	SM	MD	LG	XL
A	14.0	15.5	17.5	19.0	21.0
B	21.5	22.5	23.8	24.8	25.8
C	69.5	69.5	70.0	70.0	70.0
D	72.0	72.0	72.0	72.0	72.0
E	16.9	16.9	17.1	17.1	17.1
F	40.6	41.6	43.3	44.3	45.3
G	11.8	11.8	12.0	12.0	12.0
H	26.5	27.7	28.9	29.9	30.9
I	3.90	3.90	3.90	5.10	5.90

**All measurements are in inches*

FIT

X-SMALL	5'0" (153 CM) - 5'3" (160 CM)
SMALL	5'3" (160 CM) - 5'7" (171 CM)
MEDIUM	5'7" (171 CM) - 5'11" (180 CM)
LARGE	5'11" (180 CM) - 6'3" (191 CM)
X-LARGE	6'3" (191 CM) - 6'6" (198 CM)

KEEP YOUR NEW YETI FRESH AND CLEAN

OVERVIEW

Following these guidelines will help maintain the performance of your bicycle and prevent more serious problems from arising. It is important to remember that service intervals can vary depending on climate, trail conditions and riding frequency. If you are unsure about working on your own bicycle, contact your authorized Yeti Dealer or visit the repair help section at www.parktool.com for more information on general bicycle maintenance.

SCHEDULE

	WEEKLY	MONTHLY	3 MONTHS	ANNUALLY
CLEAN AND LUBE CHAIN	■			
CHECK TIRE PRESSURE	■			
CLEAN BIKE OF MUD AND DEBRIS	■			
CHECK BRAKE FUNCTION	■			
CHECK SHOCK PRESSURE, IF APPLICABLE	■			
CHECK FOR LOOSE BOLTS AND TIGHTEN, IF NECESSARY	■			
CHECK HEADSET AND TIGHTEN / LOOSEN, IF NECESSARY		■		
THOROUGHLY CLEAN PIVOT POINTS WITH A RAG (DO NOT LUBRICATE)		■		
REPLACE BRAKE PADS, IF NECESSARY			■	
CHECK TIRES FOR WEAR			■	
CHECK SPOKE TENSION AND RETENTION, IF NECESSARY			■	
CHECK CHAIN FOR WEAR AND REPLACE IF NECESSARY			■	
COMPLETE TUNE-UP PERFORMED BY AN AUTHORIZED YETI DEALER				■

CABLE SETUP

YETI TIPS

The Big Top has full cable housing. By using full cable housing, we have eliminated break points in the line of your shifter housing. This allows riders to experience better overall shifting performance by reducing the entrance of unwanted elements such as sweat and sediment. Use of full cable housing helps prevent corrosion from the elements and keeps the shifting smoother for a longer period of time.

Caution: The failure to properly route shifter housing can cause malfunction of the shift mechanism and unexpected shifting of gears.



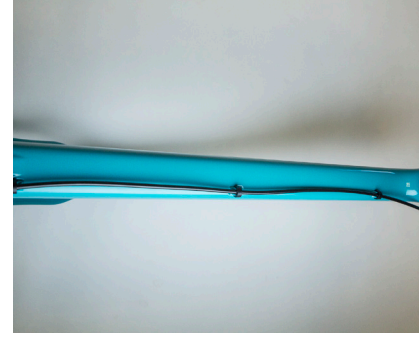
01. DOWNTUBE INTERNAL ROUTING

Begin by removing the cable stop retaining bolt with a 2.5mm allen wrench. Once it is free remove the cable stop. You should have the two pieces. (shown above right) Place them somewhere safe. Removing the cable stop opens up the bottom of the downtube allowing you to thread your cables through from the entry points at the top of the downtube near the head tube.



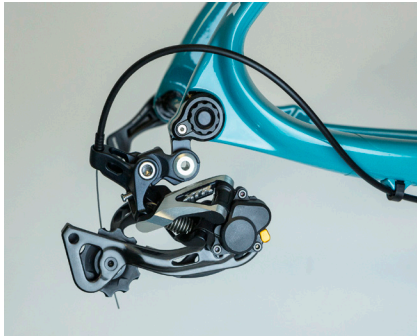
02. DOWNTUBE CABLE THREADING

Install appropriate length cable housing between the shifters and the upper cable openings. Check the range of motion in the housing when in place. Once you are sure you have the correct housing length thread each cable through the downtube. The rear shift cable should enter on the non drive side and exit on the drive side. The front will enter on the drive side and exit on the non drive side. Once you have the cables threaded through the frame re install the lower cable stop making sure that the open end is facing the back of the bike.



04. REAR BRAKE ROUTING

The rear brake line routes down the outside of the downtube. Starting at the brake lever, your housing length should allow you to parallel the rear shifter line creating a clean looking handlebar. From there attach the housing to the down tube using zip ties or the provided cable clips. The cable should pass under the bottom bracket and up through the inside of the chainstay, pictured above right. Again, use zip ties or the provided cable clips to attach the housing to the chainstay.



03. FINISHING THE SHIFTING

Measure and cut the appropriate length sections of housing to complete the routing to the front derailleur cable stop (above left) and to the rear derailleur (above right) as shown. Make sure that the arc of the front derailleur housing is smooth so it will not bind the cable. The cable should move freely up through the frame to the derailleur. The rear housing should look like the picture above right. Use zip ties or the provided cable clips to secure the cable to the chainstay.

DROPOUT SYSTEM

YETI TIPS

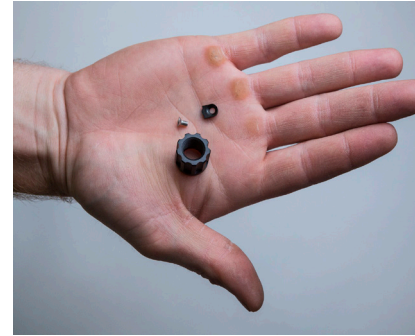
Make sure your tools are in good condition. A worn allen key can round the hex on a bolt not allowing for proper torque.

Torque settings are listed throughout the instructions. It is also important to prep all bolt threads. The instructions denote whether to use a blue Loctite compound or grease.

Warning: Service on Yeti bicycles requires special knowledge and tools. Yeti Cycles recommends that all service and repairs be performed by an authorized Yeti Dealer

TOOLS NEEDED

- 2.5mm allen key
- Blue loctite



01. 12MM X 142MM AXLE

The Shimano 12 x 142 axle nut allows you to position the quick release lever for constant, easy wheel installation. Above are the parts you will need to set that position. Axle nut, clocking chip and chip retaining bolt.



02. AXLE INSTALLATION

With your wheel in the frame and your derailleurs set up install the axle and nut. Close the lever to proper tension and in the angle desired without the clocking chip installed.



03. CLOCKING CHIP INSTALL

To fit the clocking chip you may have to open the lever and rotate the axle nut slightly. Once the Axle nut is positioned properly place the clocking chip into its recess. This piece will fit snugly and will prevent the axle nut from rotating while the axle is off the bike.



04. CLOCKING CHIP BOLT

Once the chip is in place install the retaining bolt and you are all set. If you are having trouble installing the bolt you may want to try adjusting the Axle nut position slightly to allow the chip to move into place.

*Apply blue Loctite



WARRANTY

YETI LIMITED (5) FIVE YEAR FRAME WARRANTY

(applies to SB4.5c / SB5c / Beti SB5c / SB6c / ASRc / Beti ASRc)

Yeti Cycles will repair or replace, at its option, any frame it determines to be defective due to defective materials and/or workmanship. The (5) one year limited warranty is conditioned upon the bicycle being ridden under normal conditions and having been properly maintained. This warranty does not apply to the components attached to the frameset such as suspension components, wheels, drive train, brakes, seatpost, handlebar and stem. This warranty applies only to the original owner and is non-transferable. This warranty is void if the bicycle was not properly assembled by an authorized Yeti dealer.

YETI LIMITED (2) TWO YEAR FRAME WARRANTY

(applies to ARC-C / ASR 5-C / ASR 5-A / SB66-A / SB66-C / SB95 / SB95 -C / SB75 / 575 / ARC / Big Top 29'r)

Yeti Cycles will repair or replace, at its option, any of the above listed frames it determines to be defective due to defective materials and/or workmanship. The (2) five year limited warranty is conditioned upon the bicycle being ridden under normal conditions and having been properly maintained. This warranty does not apply to the components attached to the frameset such as suspension components, wheels, drive train, brakes, seat post, handlebar and stem. This warranty applies only to the original owner and is non-transferable. This warranty is void if the bicycle was not properly assembled by an authorized Yeti dealer.

ADDITIONAL CONDITIONS

These limited warranties do not apply to normal wear and tear, nor to claimed defects, malfunctions or failures that result from abuse, neglect, improper assembly, improper maintenance, alteration, collision, crash or misuse. The original owner shall pay all labor charges connected with the repair or removal of all components. Under no circumstance does this limited warranty include the cost of travel or shipment to and from an authorized Yeti dealer. In order to exercise your rights under these limited warranties, the bicycle or frameset must be presented to an authorized Yeti dealer, together with proof of purchase.

**The above warranties have been in effect since January 2012. For warranty information on Yeti frames sold prior to that date please consult your local authorized dealer.*

NO FAULT REPLACEMENT POLICY

Yeti Cycles will make replacement parts available at a minimum charge to the original owner in the event of a crash or any other non-warranty situation. Yeti Cycles does this at its sole discretion and reserves the right to refuse this offer.

PRODUCT LIFE CYCLE

Every YETI frameset has a useful product life cycle. The length of that useful product life cycle will vary depending on the construction and the materials of the frameset, maintenance and care the frameset receives, and the amount and type of use the frameset is subjected to over its life. YETI recommends that an authorized YETI dealer should inspect the frame for stress annually. Frame stress could cause potential failure and the signs are usually apparent in the form of cracks, fracture lines, deformation, dents, and any other visual indicators of abnormality. These safety checks for frame stress are important to prevent accidents, injury to the cyclist, and product failure of a YETI frameset.

DISCLAIMER

YETI Cycles is not responsible for any damages to you or others arising from riding, transporting or other use of your bicycle. In the event that your frame breaks or malfunctions, YETI Cycles shall have no liability or obligation beyond the repair or replacement of your frame pursuant to the terms outlined in the warranty.

**If you have a warranty concern, please contact your authorized Yeti dealer.*



YETI CYCLES

621 Corporate Circle, Unit B
Golden, CO 80401
(p) 303-278-6909
(f) 303-278-6906
www.yeticycles.com

BUSINESS HOURS

Monday-Friday
8AM-11:30AM, 1:00PM-5:30PM
(Mountain Time)