



OWNER'S MANUAL YETI SB5.5

TABLE OF CONTENTS

BRAND OVERVIEW	06
FRAME FEATURES	08
GEOMETRY	10
MAINTENANCE SCHEDULE	12
<i>SETUP</i>	
OVERVIEW	12
SHOCK SETUP	14
DERAILLEUR HANGER INSTALL	16
CABLE/LINE SETUP	18
<i>TECHNICAL</i>	
ASSEMBLY OVERVIEW	20
EXPLODED VIEWS	28
REBUILD KITS	32
<i>LEGAL</i>	
WARRANTY	36
CONTACT INFORMATION	37

CONGRATULATIONS ON YOUR PURCHASE OF A NEW YETI.

We are confident your new bicycle will exceed your expectations for value, performance, and ride quality. Each frameset and component has been custom specified and designed to enhance your riding experience. Whether you are a beginner cyclist, or a seasoned pro, your Yeti bicycle will provide endless hours of two-wheeled fun.

This model specific manual is designed to be used in conjunction with the general Yeti Owner's Manual and the manuals supplied by the suspension manufactures. If you did not receive the Yeti owner's manual or the manual provided by the suspension manufacturer download the materials off the Internet, or contact your local dealer.

Bicycling can be a hazardous activity even under the best of circumstances. Proper maintenance of your bicycle is your responsibility and when done properly helps reduce the risk of injury and damage to your bicycle.

Warning: Make sure you review and understand the warnings, instructions, and content of this manual and accompanying manuals for your bicycle.

Warning: Technological advances have made bicycles and bicycle components more complex and the pace of innovation is increasing. It is impossible for this manual or the accompanying manuals to provide all the information required to properly repair and/or maintain your bicycle. In order to help minimize the chances of an injury, it is critical for you to have work performed by an authorized Yeti retailer.

This manual outlines basic setup and maintenance recommendations of your new Yeti. Because it is impossible to anticipate every situation or condition that may occur during the assembly, setup, and maintenance of your bicycle, Yeti recommends that all service and repairs be performed by your local authorized Yeti Dealer.

This manual contains many "Warnings" and "Cautions" concerning the consequences of failure to maintain or inspect your bicycle. The word "Warning" indicates a potentially hazardous situation in which, if not avoided, could result in serious injury or death. The word "Caution" indicates a potentially hazardous situation in which, if not avoided may result in minor injuries or damage to your bicycle or a component of your bicycle. Be sure to read and understand all of the Warnings and Cautions listed in the manual.

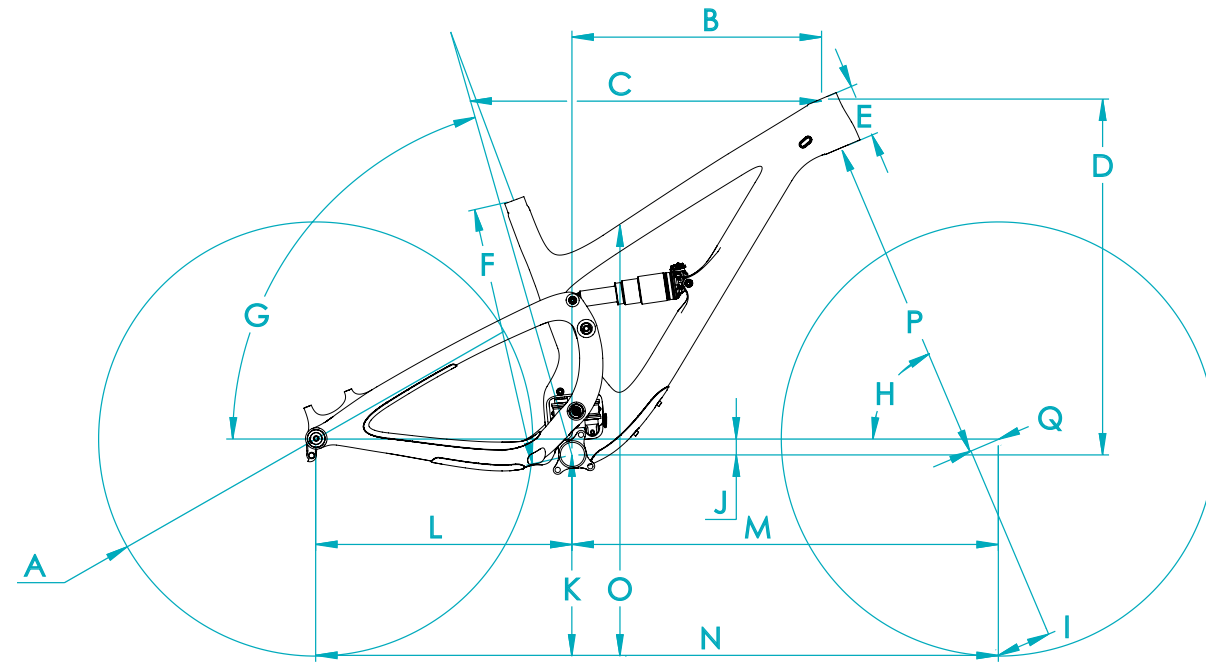
THE LOWDOWN ON THE SB5.5 AND ITS FEATURES.

1. SWITCH INFINITY TECHNOLOGY PATENTED SUSPENSION SYSTEM
2. HIGH MODULUS CARBON FIBER MAIN FRAME AND SWING ARM
3. COLLET AXLE SYSTEM ON PIVOTS REDUCES BEARING WEAR
4. OPTIMIZED FOR 1X DRIVETRAINS ONLY
5. ISCG 05 CHAINGUIDE MOUNTS
6. TAPERED INSET HEAD TUBE (44MM/56MM)
7. SUSPENSION BY FOX
8. CUSTOM DEBRIS AND CHAIN SLAP GUARDS
9. INTERNAL CABLE ROUTING
10. INTEGRATED AXLE AND DERAILLEUR HANGER SYSTEM

1. The SB5.5 delivers 5.5 inches (140mm) of travel with our patented Switch Infinity Technology. Efficient pedaling performance while still smooth and continuous when the going gets rough.
2. High modulus carbon provides a stiff, strong and light weight chassis.
3. Colleted pivot axles help create a stiff interface between the front and rear triangles of the frame. Custom Enduro Max sealed bearings keep things moving freely at the pivots.
4. The SB5.5 does away with the front derailleur mount, making it a 1x drive specific frame. This increases stiffness in the frame, making the SB5.5 one of the stiffest bikes in our lineup.
5. ISCG 05 chain guide mounts are included on the SB5.5 if case you want to go for some extra drivetrain security in the rowdy sections.
6. Using our inset head tube on the SB5.5 allows for a larger head tube with more area, increased stiffness, and lower overall ride height without compromising any performance.
7. The SB5.5 uses a 2.25 inch stroke, 7.875 inch eye to eye Float-X EVOL shock, by Fox Racing Shox.
8. Custom guards on the seat stay, chain stay and down tube keep things quiet while riding and protect the frame.
9. The SB5.5 features internal routing for all cables, making the bike quiet and clean looking as well as reducing cable rub on the paint.
10. Dedicated 12 x 148 Boost dropouts and integrated hanger with axle threads for strength, stiffness, ease of hanger and wheel installation.

GEOMETRY

FOX 36 / 160MM FORK



	MD	LG	XL
A WHEEL	29"	29"	29"
B REACH	421	442	463
C EFF. TOP TUBE	601	626	652
D STACK	610	624	639
E HEAD TUBE LENGTH	90	105	121
F SEAT TUBE LENGTH	445	483	521
G EFF. SEAT TUBE ANGLE	73.6	73.6	73.6
H HEAD TUBE ANGLE	66.5	66.5	66.5
I MECH. TRAIL	96.3	96.2	96.1
J BB DROP	23.7	23.7	23.8
K EST. BB HEIGHT	346.2	346.2	346.2
L CHAINSTAY LENGTH	436.9	436.9	436.9
M FRONT-CENTER	730.6	757.9	785.4
N WHEELBASE	1167.7	1195.0	1222.4
O STANDOVER	742.9	754.6	767.2
P ALXE TO CROWN	567.1	567.1	567.1
Q FORK OFFSET	51	51	51

*All measurements are in millimeters

FIT

MEDIUM 5'7" (170 CM) - 5'11" (180 CM)

LARGE 5'11" (180 CM) - 6'3" (191 CM)

X-LARGE 6'1" (191 CM) - 6'6" (198 CM)

KEEP YOUR YETI FRESH AND CLEAN

OVERVIEW

Following these guidelines will help maintain the performance of your bicycle and prevent more serious problems from arising. It is important to remember that service intervals can vary depending on climate, trail conditions and riding frequency. If you are unsure about working on your own bicycle, contact your authorized Yeti Dealer for more information on general bicycle maintenance.

SCHEDULE	WEEKLY	MONTHLY	3 MONTHS	ANNUALLY
CLEAN AND LUBE CHAIN	■			
CHECK TIRE PRESSURE	■			
CLEAN BIKE OF MUD AND DEBRIS	■			
CHECK BRAKE FUNCTION	■			
CHECK SHOCK PRESSURE, IF APPLICABLE		■		
CHECK FOR LOOSE BOLTS AND TIGHTEN, IF NECESSARY		■		
CHECK HEADSET AND TIGHTEN / LOOSEN, IF NECESSARY		■		
THOROUGHLY CLEAN PIVOT POINTS WITH A RAG (DO NOT LUBRICATE)		■		
LUBE INFINITY LINK EVERY 40 HRS. (YETI HEAVY MOLYBDENUM GREASE)		■		
CHECK / REPLACE BRAKE PADS, IF NECESSARY			■	
CHECK TIRES FOR WEAR			■	
CHECK SPOKE TENSION AND RETENTION, IF NECESSARY			■	
CHECK CHAIN FOR WEAR AND REPLACE IF NECESSARY			■	
COMPLETE TUNE-UP PERFORMED BY AN AUTHORIZED YETI DEALER				■

TORQUE

Yeti strongly recommends using a torque wrench when assembling your frame. Torque specifications for individual parts on the SB5.5 are listed below, as well as in the step by step assembly instructions later in the manual. For general bicycle maintenance please consult the torque specifications of the component you are adjusting.

KEY TORQUE SPECS

PART NUMBER	DESCRIPTION	TORQUE (NM)
300030151	BOLT TI MALE (M6 X 1 X 12MM)	7
300030057	INFINITY LINK BOLTS (M6 X 1)	12
300040484	UPPER LINK COLLET AXLE (M10 X 10)	3
300040486	UPPER LINK COLLET WEDGE (M5 X .8)	8
300040483	LOWER LINK COLLET AXLE (M10 X 10)	3
300040486	LOWER LINK COLLET WEDGE (M5 X .8)	8
300040485	MAIN PIVOT COLLET AXLE (M15 X 1.5)	3.5
300040454	MAIN PIVOT COLLET WEDGE (M8 X 1.25)	14

SHOCK SETUP

YETI TIPS

Inspect your shock for any visible damage. If oil is leaking or you notice any damage to the surfaces or seals, please contact the Fox Racing Shox service center for repair at 800. FOX.SHOX or your local bike shop.

Shock set-up can fluctuate greatly based on the rider. The set-up guide is intended as a base line to get the rider started. Experiment with your settings to find the set-up that works best for you.

We recommend starting out with 25-30% sag, which is 17-19mm of shock stroke.

TOOLS NEEDED

- Shock Pump
- Metric Tape Measure



QUICK START GUIDE

ADJUSTMENT	SETTING
BASILINE AIR SPRING SETTING	RIDER WEIGHT (PSI)
MEASURED SAG (MM)	17-19MM
REBOUND	7 CLICKS*
COMPRESSION ADJUSTMENT	OPEN

**All clicks are counted counter-clockwise, rotating from the all the way "in" or clockwise dial position.*



01. AIR PRESSURE

The main air spring controls sag. For the SB5.5 to ride properly it is important to setup the shock with the correct amount of sag. The SB5.5 works best with 17-19MM of measured sag. To increase sag, reduce the main spring air pressure. To reduce sag, increase the main spring air pressure. Cycle the shock 5-10 times to equalize the EVOL chamber before measuring sag.



02. SAG

Once you have set your baseline air pressure and cycled the shock you are ready to measure the sag. To measure the sag slide the travel indicator (O-Ring) up against the shock body. With a friend supporting the bike and with the compression set "open," sit on the saddle and allow your body weight to compress the shock. Once you have compressed the shock, get off the bike and measure the distance between the shock body and the new position of the travel indicator (O-Ring). This is your sag.



03. REBOUND

Rebound is adjusted using the red knob located by the front shock mount. Clockwise will slow the rebound, counter clockwise will speed it up. You will likely need to use a 2mm hex key to make this adjustment. Rebound needs to be tuned to rider preference and air spring pressure. Too slow and the bike will feel like it is not ready for the next bump. Too fast and it will feel like the bike is bucking you off after an impact.



04. COMPRESSION

Low-speed compression is adjusted in the "open" position, using the black tabs and has 3 positions. 1 is wide open, 3 is more firm. This adjustment is subtle. The blue lever has 3 positions: Open, Medium and Firm. For our bikes, unless you are on pavement on the way to the trail, we recommend using the "open" setting. The Switch Infinity design will do the rest!

DERAILLEUR HANGER INSTALL

YETI TIPS

NOTE: The hanger cap is REVERSE THREADED. Be careful not to strip out the Hanger tool faces. The cap is marked with a tighten direction arrow.

Inspect the frame around the hanger seat for any suspicious damage any time you replace a hanger, especially if you are replacing it due to damage.

TOOLS NEEDED

- 6mm Allen key
- Grease



01. HANGER SEAT

Lightly grease the outside surface of the hanger where it interfaces with the frame. The hanger will fit into its space on the inside of the swing arm and should press easily into the frame.



02. HANGER CAP SEAT

Lightly grease the threads on the hanger cap. The hanger cap REVERSE threads into the hanger from the outside of the swing arm. Hand thread the cap into the hanger.



03. TIGHTENING

Using a 6mm allen key, tighten the hanger cap into the hanger. REMEMBER, it is REVERSE THREADED. Follow the "Tighten" arrow on the cap. Finish tightening with a torque wrench if available.

*Torque to 80 in/lbs (9Nm)



04. COMPLETED

The installed hanger and cap should look like this, sitting flush against the frame on both the inside and outside of the swing arm. If the hanger or cap are not sitting flush against the frame, remove them and inspect the frame surfaces for debris as well as the threads for damage.

CABLE SETUP

The SB5.5 uses internally routed full length cable housing. By using full cable housing, we have eliminated break points in the line of your shifter housing. This allows for better overall shifting performance by reducing the entrance of unwanted elements such as sweat and sediment. By routing that housing internally we add to the protection from the elements and clean up the lines of the bike. No more zip ties to snag your shorts on and no more loose housing rattling around on your paint.

Do not remove any of the housing guide tubes that are installed in your new frame and swing arm. They will be used to pull your housing through the frame. If you are replacing used housing, use the old housing to pull your new housing through the frame.

If you don't have the guide tubes or old housing you can fish the housings through the frame, but it will be much easier to use an internal cable routing tool.

Caution: The failure to properly route shifter housing can cause malfunction of the shift mechanism and unexpected shifting of gears.



REAR DERAILLEUR CONTINUED

The rear derailleur housing will exit the swing arm via the port on the upper side of the seat stay right above the rear derailleur. Create a gentle curve to the derailleur and adjust to the manufacturers specifications.

REAR BRAKE CONTINUED

The rear brake housing exits the swing arm on the inside of the chain stay and goes directly up to the caliper. If your caliper allows, adjust the housing attachment angle to reduce the bend in the cable as much as possible.



REAR BRAKE AND DERAILLEUR

Your rear brake and shifter housing should run parallel around the left side of the head tube. Run the shifter housing and the brake housing into the individual ports at the head tube and thread them down into the down tube toward the exit ports above the Infinity Link. The shift housing comes out of the port on the drive side and goes immediately into the corresponding port on the swing arm. The brake housing does the same on the non-drive side.

NOTE: Use rubbing alcohol to help the housing pass through the grommets as you thread it through the frame.

Starting at the back of the bike and working forward will be necessary for some brake systems.



INTERNALLY ROUTED SEAT POST

The SB5.5 is designed to use an internally routed dropper post. The housing should be routed from the post forward. Guide your housing through the seat tube and into the down tube use the guide tube installed in our new frames, or use the old housing if you are replacing the line on a used bike. The line should exit the down tube at the head tube on the drive side and curve around the head tube to the lever on the left side of the bar. If you are mounting your lever on the right side, you would simply route that housing over to the right. If you do route to the right we recommend placing some clear vinyl in front of the port to prevent cable rub.

FRAME ASSEMBLY

YETI TIPS

Make sure your tools are in good condition. A worn allen key can round the hex on a bolt not allowing for proper torque.

Torque settings are listed throughout the instructions. It is important to prep all bolt threads. The instructions denote whether to use a Loctite compound or grease.

TOOLS NEEDED

- 2.5mm allen key
- 5mm allen keys
- 4mm allen keys
- 10mm allen key
- Guide pin tool (Or two)
- Torque wrench
- Grease
- Blue (242) Loctite

Warning: Service on Yeti bicycles requires special knowledge and tools. Yeti Cycles recommends that all service and repairs be performed by an authorized Yeti Dealer



01.

All the parts you'll need to get your SB5.5 frame assembled. Please refer to the exploded view later in this manual for more information.



02.

Slip washers onto and apply blue (242) Loctite to the 4 bolts that secure the Switch Infinity Link to the frame. Insert them into their place and hang the black fitting washers from them. Place washers with the flat side flush to the frame and opening.



03.

Insert the Infinity Link from the non-drive side. The Infinity logo should be up and the Fox logos facing the non-drive side. Rock the link into place capturing the black fitting washers. Make sure that they have not slipped or rotated. The flat end of the fitting washers must be facing the opening in the frame and they must nestle into the Infinity Link stanchions.



04.

While holding the link in place lightly tighten the bolts. You want them to snug so that the link does not move and so that the fitting washers are fully captured, but don't try to torque them by hand! Finish the job with a torque wrench.

*Torque to 12 Nm





05.

Lightly grease the bearing surfaces on your link.



06.

Place the bearing race extender washers (300020049) on the lower link bearings. There should be just enough grease there to hold the washers in place.



09.

Insert the collet axle nut (300030287) in the corresponding keyed hole and thread the axle in using a 5mm allen wrench. This acts like a headset and is meant to preload the bearings.

*Torque: 3 Nm



10.

Install the well greased lower link collet wedge (300040486) Tighten with a 4mm allen wrench and finish with a torque wrench.

*Torque: 8 Nm



07.

Insert the lower end of the link into the frame with the bearing race extending washers in place. Gently rest the link upright in the frame.



08.

Using one hand, align the link and press the lightly greased pivot axle (300040483) through. This will hold the link in place while you prep the pivot axle nut.



11.

Your lower link pivot is now complete. Wipe any excess grease from the pivot axle area now and double check your torques. This is more difficult later in the process.



12.

Place the upper link bearing race extender washers onto the upper link bearings. The grease should hold them in place.





13.

Grease the main pivot collet axle (300040485), including the threads.



14.

Slide the swingarm over the infinity link and insert the main pivot collet axle from the non drive side. You may need to use a guide pin from the drive side to help align the bearing spacer in the link.



17.

Insert the lightly greased upper link pivot axle nut (300030286) into the keyed hole in the swingarm and, using a 5mm allen wrench, thread the pivot axle into the nut. Using a piece of foam or bubble wrap behind the link will help protect your paint until the shock is installed.
*Torque to 3 Nm



18.

Grease and install the main pivot collet wedge with a 5mm allen wrench. Be sure to grease both the threads and the collet wedge.
*Torque to 14 Nm



15.

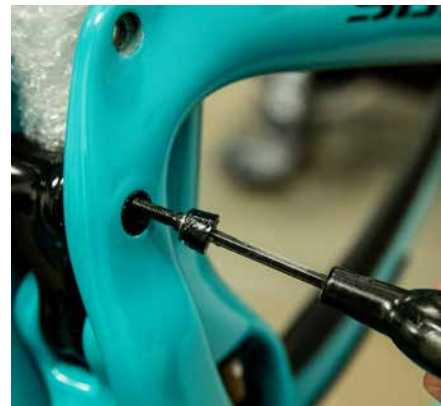
Insert the lightly greased main pivot axle nut (300030285) into the corresponding keyed hole in the swingarm and thread the main pivot collet axle into it. Using a 10mm allen wrench, tighten the main pivot collet axle.
*Torque: 3.5 Nm

*Torque: 3.5 Nm



16.

Grease the upper link pivot collet axle (300040484). Push the pivot axle through the swingarm and the upper link bearings from the non drive side. You may want to use a guide pin to help align the bearing spacer.



19.

Grease and install the upper link collet wedge with a 4mm allen wrench. Be sure to grease both the threads and the collet wedge.
*Torque: 8 Nm

*Torque: 8 Nm



20.

Wipe up any excess grease around the collet wedge bolts and remove the foam/bubble wrap from behind the link in preparation for installing the shock.





21.

Slide the rear of the shock into the swingarm, align the shock eyelet and secure with a guide pin.



22.

Align the front shock eyelet to the mounting points on the front triangle and secure with a guide pin.



25.

Place the 6.5mm washer (300030062) over a Male Ti bolt (300030151). Apply Blue LocTite to the threads. Using two 5mm allen wrenches tighten the male bolt into the shock pin.

**Torque to 7 Nm*



26.

Tighten a male Ti bolt (300030151) into the rear shock pin (300030288), ensuring that it is fully threaded into the pin. Slide a 8.5mm washer (300030069) over the pin and lightly grease the pin shaft.



23.

Place the 8.5mm washer (300030069) on the front shock mounting pin (300030262) and lightly grease the pin shaft.



24.

Slide the shock mounting pin over the guide pin and push it through the frame and the shock.



27.

Slide the rear shock pin over the guide pin and push it through the swingarm and shock.



28.

Place the 6.5mm washer (300030062) over a Male Ti bolt (300030151). Apply Blue LocTite to the threads. Using two 5mm allen wrenches tighten the male bolt into the shock pin.

**Torque to 7 Nm*

FRAME ASSEMBLY IS COMPLETE.

EXPLODED VIEW PARTS LIST

ITEM#	PART #	DESCRIPTION	QTY
1	N/A	SB5.5 FRONT TRIANGLE ASSEMBLY	
1.1	N/A	SB5.5 FRONT TRIANGLE	1
1.2	300070006	ICE AXE HEAD BADGE	1
1.3	300060072	YETI SEAT CLAMP STANDARD	1
1.4	300040491	SLOT PORT GROMMET	5
1.5	300030010	BOLT-CAP H20 (M5 X 0.8 X 16MM)	2
1.6	300030148	WASHER 5.1X8.9X1MM	2
1.7	400100134	SB5.5 DT PROTECTOR	1
2	N/A	SB5.5 SWING ARM ASSEMBLY	
2.1	N/A	SB5.5 SWING ARM	1
2.2	300060073	12X148 HANGER STD KIT GEN3	1
2.2.1	300060074	12X148 HANGER STANDARD GEN3	1
2.2.2	300060075	12X148 HANGER CAP GEN3	1
2.3	300040491	SLOT PORT GROMMET	4
2.4	400100135	SB5.5 CS/SS PROTECTOR	1
2.5	400100136	SB5.5 CHAIN SUCK GUARD	1
2.6	400100137	SB5.5 CS LOWER PROTECTOR	1
3	200020201	FOX LINEAR BEARING 74.0MM ASSEMBLY	
4	N/A	SHOCK ASSEMBLY SB5.5	
4.1	N/A	FOX FLOAT DPS 7.5 X 2.25	1
4.2	214-09-035	FOX MOUNT KIT 44.856MM (45MM)	1
4.3	214-09-006	FOX MOUNT KIT 21.84MM (22MM)	1
5	N/A	SB5.5 ASSEMBLY PARTS	
5.1A	200020268	SB5.5 ALLOY LINK ASSEMBLY	1
5.1C	200020249	SB5.5 CARBON LINK ASSEMBLY	1
5.1.1A	300040497	SB5.5 ALLOY LINK	1
5.1.1C	300040494	SB5.5 CARBON LINK	1

ITEM#	PART #	DESCRIPTION	QTY
5.1.2	300020050	BEARING 6900-2RS-MAX 22X10X6	4
5.1.3	300030281	SPACER 10MM X 29.0MM	1
5.1.4	300030282	SPACER 10MM X 6.0MM	1
5.2	300020049	INNER RACE EXTENDER 10MM	4
5.3	300040484	COLLET AXLE 10X53.5X13.0 M10X1.0	1
5.4	300040486	COLLET WEDGE SUB-ASSEMBLY 10MM	2
5.4.1	300030284	COLLET BOLT M5X.8	1
5.4.2	300030283	COLLET WEDGE 10MM	1
5.4.3	300040482	SPIRAL RETAINING RING	1
5.5	300030286	COLLET NUT M10X1X12MM	1
5.6	300040483	COLLET AXLE 10X30.5X9.0 M10X1.0	1
5.7	300030287	COLLET NUT M10X1X8MM	1
5.8	300040485	COLLET AXLE 15X52.5SX13.0T M15X1.5	1
5.9	300040454	COLLET WEDGE SUB-ASSEMBLY GEN2	1
5.9.1	300030268	COLLET BOLT M8X1.25	1
5.9.2	300030267	COLLET WEDGE 15MM	1
5.9.3	300040450	SPIRAL RETAINING RING	1
5.10	300030285	COLLET NUT M15X1.5X12MM	1
5.11	300030262	BOLT TI FEMALE 8.0X31.0MM GEN2	1
5.12	300030069	WASHER 8.5X12.5X0.5 MM	2
5.13	300030151	BOLT TI MALE M6X12.0MM	3
5.14	300030062	WASHER 6.5X12.5X0.5 MM	2
5.15	300030288	BOLT TI STUD 8.0X54.0MM	1
5.16	300030057	BOLT-CAP (M6 X 1 X 20 MM)	4
5.17	300030214	WASHER (10X6.2X1MM)	4
5.18	300040474	BLANK PORT GROMMET	1

REBUILD KITS

PART #	DESCRIPTION	QTY
200020272	SB5.5 MASTER REBUILD KIT	
300020049	BEARING RACE EXTENDER 23X10	4
300020050	BEARING 6900 2RSMAX 22X10X6	4
300030010	BOLT-CAP- M5X.8X16 - H20 BOLT	2
300030057	BOLT CAP M6X1X20	4
300030062	WASHER SS 6.5MM ID 12.5 OD .5M	2
300030069	WASHER SS 8.5MM ID 12.5MM OD	2
300030148	WASHER SS 5.1MM ID 8.9 OD 1MM	2
300030151	BOLT TI MALE M6X 12MM	3
300030214	WASHER 10 X 6.2 X 1	4
300030262	BOLT TI FEMALE 8.0X31.0MM GEN2	1
300030281	SPACER 10X29.0MM	1
300030282	SPACER 10X6.0MM	1
300030285	COLLET AXLE NUT M15X1.5X12	1
300030286	COLLET AXLE NUT M10X1X12	1
300030287	COLLET AXLE NUT M10X1X8	1
300030288	STUD TI FEMALE 8X54.0MM	1
300040454	COLLET-WEDGE ASSEMBLY GEN2	1
300040474	BLANK PORT GROMMET	1
300040483	AXLE COLLET 10X30.5SX9T	1
300040484	AXLE COLLET 10X53.5SX13T	1
300040485	AXLE COLLET 15X52.5SX13T	1
300040486	COLLET WEDGE ASSEMBLY - M10	2
300040491	SLOT PORT GROMMET	9

PART #	DESCRIPTION	QTY
200020253	SB5.5 BEARING REBUILD KIT	
300020050	BEARING 6900 2RSMAX	4
300030281	SPACER 10X29.0MM	1
300030282	SPACER 10X6.0MM	1
200020273	SB5.5 HARDWARE REBUILD KIT	
300020049	BEARING RACE EXTENDER 23X10	4
300030010	BOLT-CAP- M5X.8X16 - H20 BOLT	2
300030057	BOLT CAP M6X1X20	4
300030062	WASHER SS 6.5MM ID 12.5 OD .5M	2
300030069	WASHER SS 8.5MM ID 12.5MM OD	2
300030148	WASHER SS 5.1MM ID 8.9 OD 1MM	2
300030151	BOLT TI MALE M6X12MM	3
300030214	WASHER 10 X 6.2 X 1	4
300030262	BOLT TI FEMALE 8.0X31.0MM GEN2	1
300030285	COLLET AXLE NUT M15X1.5X12	1
300030286	COLLET AXLE NUT M10X1X12	1
300030287	COLLET AXLE NUT M10X1X8	1
300030288	STUD TI FEMALE 8X54.0MM	1
300040454	COLLET-WEDGE ASSEMBLY GEN2	1
300040483	AXLE COLLET 10X30.5SX9T	1
300040484	AXLE COLLET 10X53.5SX13T	1
300040485	AXLE COLLET 15X52.5SX13T	1
300040486	COLLET WEDGE ASSEMBLY - M10	2
200020231	FOX LINEAR BEARING 74.0MM SB5.5	
200020201	FOX LINEAR BEARING 74.0MM ASSE	1
300030057	BOLT CAP M6X1X20	4
300030214	WASHER 10 X 6.2 X 1	4

REBUILD KITS CONTINUED

PART #	DESCRIPTION	QTY
400100146	PROTECTOR KIT SB5.5	
400100134	PROTECTOR SB5.5 DOWN TUBE	1
400100135	PROTECTOR SB5.5 CHAIN STAY/SEAT STAY	1
400100136	PROTECTOR SB5.5 CHAIN SUCK	1
400100137	PROTECTOR SB5.5 LOWER CHAIN STAY	1
400100146	SB5.5 PROTECTOR DECAL KIT	
200020275	SB5.5 CABLE GUIDE KIT	
300040474	BLANK PORT GROMMET	1
300040491	SLOT PORT GROMMET	9
	SB5.5 MISCELLANEOUS PARTS	
200020263	LINK SB5.5 W/BEARING GLOSS	N/A
200020249	LINK SB5.5 W/BEARING MATTE	N/A
300060073	12X148 HANGER STD KIT BLACK	N/A
300060077	12X148 HANGER STD KIT TURQUOISE	N/A

WARRANTY

YETI LIMITED (5) FIVE YEAR FRAME WARRANTY

(applies to SB4.5c / SB5c / Beti SB5c / SB5+ / SB5.5c / SB6c / ASRc / Beti ASRc)

Yeti Cycles will repair or replace, at its option, any frame it determines to be defective due to defective materials and/or workmanship. The (5) one year limited warranty is conditioned upon the bicycle being ridden under normal conditions and having been properly maintained. This warranty does not apply to the components attached to the frameset such as suspension components, wheels, drive train, brakes, seatpost, handlebar and stem. This warranty applies only to the original owner and is non-transferable. This warranty is void if the bicycle was not properly assembled by an authorized Yeti dealer.

YETI LIMITED (2) TWO YEAR FRAME WARRANTY

(applies to ARC-C / ASR 5-C / ASR 5-A / SB66-A / SB66-C / SB95 / SB95 -C / SB75 / 575 / ARC / Big Top 29'r)

Yeti Cycles will repair or replace, at its option, any of the above listed frames it determines to be defective due to defective materials and/or workmanship. The (2) five year limited warranty is conditioned upon the bicycle being ridden under normal conditions and having been properly maintained. This warranty does not apply to the components attached to the frameset such as suspension components, wheels, drive train, brakes, seat post, handlebar and stem. This warranty applies only to the original owner and is non-transferable. This warranty is void if the bicycle was not properly assembled by an authorized Yeti dealer.

ADDITIONAL CONDITIONS

These limited warranties do not apply to normal wear and tear, nor to claimed defects, malfunctions or failures that result from abuse, neglect, improper assembly, improper maintenance, alteration, collision, crash or misuse. The original owner shall pay all labor charges connected with the repair or removal of all components. Under no circumstance does this limited warranty include the cost of travel or shipment to and from an authorized Yeti dealer. In order to exercise your rights under these limited warranties, the bicycle or frameset must be presented to an authorized Yeti dealer, together with proof of purchase.

**The above warranties have been in effect since January 2012. For warranty information on Yeti frames sold prior to that date please consult your local authorized dealer.*

NO FAULT REPLACEMENT POLICY

Yeti Cycles will make replacement parts available at a minimum charge to the original owner in the event of a crash or any other non-warranty situation. Yeti Cycles does this at its sole discretion and reserves the right to refuse this offer.

PRODUCT LIFE CYCLE

Every YETI frameset has a useful product life cycle. The length of that useful product life cycle will vary depending on the construction and the materials of the frameset, maintenance and care the frameset receives, and the amount and type of use the frameset is subjected to over its life. YETI recommends that an authorized YETI dealer should inspect the frame for stress annually. Frame stress could cause potential failure and the signs are usually apparent in the form of cracks, fracture lines, deformation, dents, and any other visual indicators of abnormality. These safety checks for frame stress are important to prevent accidents, injury to the cyclist, and product failure of a YETI frameset.

DISCLAIMER

YETI Cycles is not responsible for any damages to you or others arising from riding, transporting or other use of your bicycle. In the event that your frame breaks or malfunctions, YETI Cycles shall have no liability or obligation beyond the repair or replacement of your frame pursuant to the terms outlined in the warranty.

**If you have a warranty concern, please contact your authorized Yeti dealer.*

YETI CYCLES

621 Corporate Circle, Unit B
Golden, CO 80401
(p) 303-278-6909
(f) 303-278-6906
www.yeticycles.com

BUSINESS HOURS

Monday-Friday
8AM-11:30AM, 1:00PM-5:30PM
(Mountain Time)