

OWNER'S MANUAL YETI SB5C



TABLE OF CONTENTS

BRAND OVERVIEW	06
FRAME FEATURES	08
GEOMETRY	10
MAINTENANCE SCHEDULE	12
<i>SETUP</i>	
OVERVIEW	12
SHOCK SETUP	14
QUICK START GUIDE	16
CABLE/LINE SETUP	18
<i>TECHNICAL</i>	
ASSEMBLY OVERVIEW	20
EXPLODED VIEWS	26
REBUILD KITS	30
<i>LEGAL</i>	
WARRANTY	32
CONTACT INFORMATION	33

CONGRATULATIONS ON YOUR PURCHASE OF A NEW YETI.

We are confident your new bicycle will exceed your expectations for value, performance, and ride quality. Each frameset and component has been custom specified and designed to enhance your riding experience. Whether you are a beginner cyclist, or a seasoned pro, your Yeti bicycle will provide endless hours of two-wheeled fun.

This model specific manual is designed to be used in conjunction with the general Yeti Owner's Manual and the manuals supplied by the suspension manufactures. If you did not receive the Yeti owner's manual or the manual provided by the suspension manufacturer download the materials off the Internet, or contact your local dealer.

Bicycling can be a hazardous activity even under the best of circumstances. Proper maintenance of your bicycle is your responsibility and when done properly helps reduce the risk of injury and damage to your bicycle.

Warning: Make sure you review and understand the warnings, instructions, and content of this manual and accompanying manuals for your bicycle.

Warning: Technological advances have made bicycles and bicycle components more complex and the pace of innovation is increasing. It is impossible for this manual or the accompanying manuals to provide all the information required to properly repair and/or maintain your bicycle. In order to help minimize the chances of an injury, it is critical for you to have work performed by an authorized Yeti retailer.

THE SB5C IS OUR INTERPRETATION OF WHAT A TRAIL BIKE SHOULD BE:

LIGHTWEIGHT, GREAT PEDALING UPHILL AND A SCREAMER GOING DOWN. THIS BIKE WILL MAKE YOU SMILE.

This manual outlines basic setup and maintenance recommendations of your new Yeti. Because it is impossible to anticipate every situation or condition that may occur during the assembly, setup, and maintenance of your bicycle, Yeti recommends that all service and repairs be performed by your local authorized Yeti Dealer.

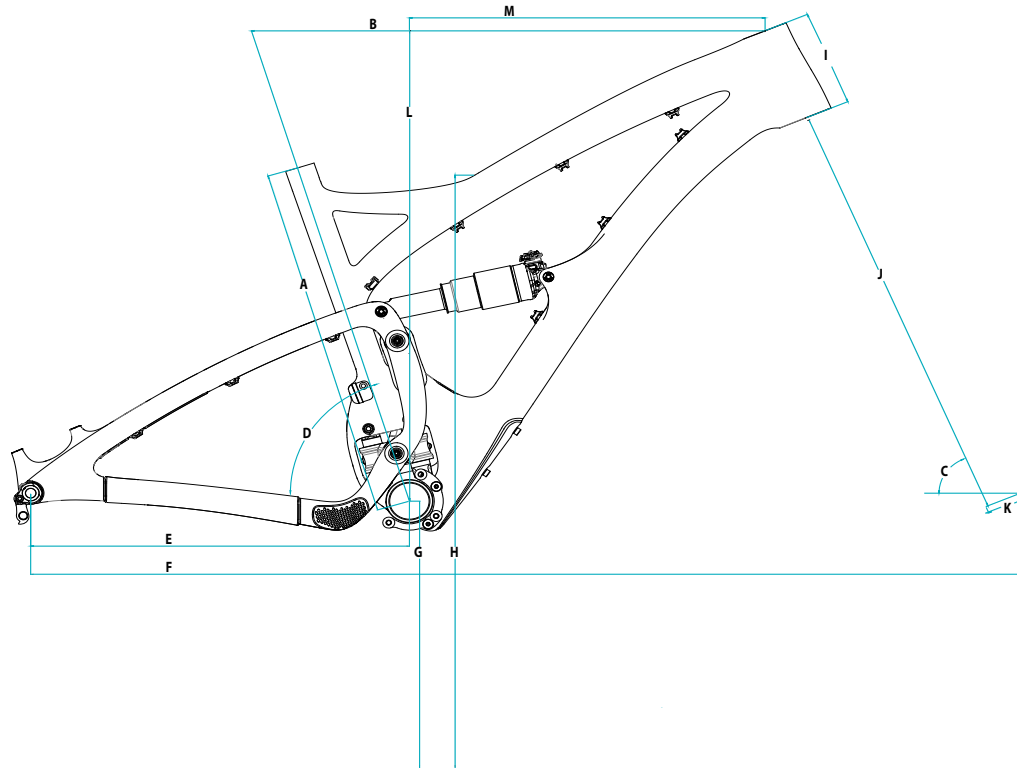
This manual contains many "Warnings" and "Cautions" concerning the consequences of failure to maintain or inspect your bicycle. The word "Warning" indicates a potentially hazardous situation in which, if not avoided, could result in serious injury or death. The word "Caution" indicates a potentially hazardous situation in which, if not avoided may result in minor injuries or damage to your bicycle or a component of your bicycle. Be sure to read and understand all of the Warnings and Cautions listed in the manual.

THE LOWDOWN ON THE SB5C AND ITS FEATURES.

1. SWITCH INFINITY TECHNOLOGY PATENTED SUSPENSION SYSTEM
2. HIGH MODULUS CARBON FIBER MAIN FRAME AND SWING ARM
3. OVERSIZED PIVOT PINS WITH ENDURO MAX BEARINGS
4. BOLT ON ISCG MOUNTS
5. TAPERED INSET HEAD TUBE (44MM/56MM)
6. SUSPENSION BY FOX (7.875 X 2.0)
7. CUSTOM CHAIN-SLAP GUARDS
8. ROUTING FOR STEALTH AND NON-STEALTH SEAT POST DROPPERS
9. DIRECT MOUNT FRONT DERAILLEUR
10. DEDICATED 12 X 142 DROPOUTS

1. The SB5c delivers 5 inches (127mm) of travel with our patented Switch Infinity Technology. Efficient pedaling performance while still smooth and continuous when the going gets rough.
2. High modulus carbon provides a stiff, strong and light weight chassis.
3. Oversized pivot pins help create a stiff interface between the front and rear triangles of the frame. Enduro Max sealed bearings keep things moving freely at the pivots.
4. The removable ISCG 05' tab is available for your SB5c. The bolt on system is lighter than a conventional welded tab and allows for a full myriad of chain-guide options.
5. Using our inset head tube on the SB5c allows for a larger head tube with more area, increased stiffness, and lower overall ride height without compromising any performance.
6. The SB5c uses a 2.0 inch stroke, 7.875 inch eye to eye shock, by Fox Racing Shox.
7. Custom chain-slap guards on the seat stay and chain stay keep things quiet while riding and protect the frame.
8. The SB5c features routing for both internally and externally routed dropper seat posts.
9. Mount any top pull direct mount front derailleur to the SB5c with ease. The direct mount derailleur gives you the best shifting in any condition.
10. Dedicated 12 x 142 dropouts for strength, stiffness and ease of wheel installation.

GEOMETRY



FOX 34 / 140MM FORK

	XS	SM	MD	LG	XL
A	15	16.5	17.5	19	20.5
B	21.6	22.6	23.6	24.6	25.6
C	67	67	67	67	67
D	72.75	72.75	72.75	72.75	72.75
E	17.4	17.4	17.4	17.4	17.4
F	43.4	44.4	45.5	46.6	47.6
G	13.4	13.4	13.4	13.4	13.4
H	29.6	29.7	29.8	30.0	30.5
I	3.7	4.3	4.8	5.6	6.3
J	21.0	21.0	21.0	21.0	21.0
K	1.73	1.73	1.73	1.73	1.73
L	22.6	23.2	23.6	24.4	25.0
M	14.6	15.5	16.3	17.1	17.9

All measurements are in inches

FIT

X-SMALL 4'11" (145CM) - 5'3" (160CM)

SMALL 5'3" (160 CM) - 5'7" (171 CM)

MEDIUM 5'7" (171 CM) - 5'11" (180 CM)

LARGE 5'11" (180 CM) - 6'3" (191 CM)

X-LARGE 6'3" (191 CM) - 6'6" (198 CM)

KEEP YOUR YETI FRESH AND CLEAN

OVERVIEW

Following these guidelines will help maintain the performance of your bicycle and prevent more serious problems from arising. It is important to remember that service intervals can vary depending on climate, trail conditions and riding frequency. If you are unsure about working on your own bicycle, contact your authorized Yeti Dealer or visit the repair help section at www.parktool.com for more information on general bicycle maintenance.

SCHEDULE

	WEEKLY	MONTHLY	3 MONTHS	ANNUALLY
CLEAN AND LUBE CHAIN	■			
CHECK TIRE PRESSURE	■			
CLEAN BIKE OF MUD AND DEBRIS	■			
CHECK BRAKE FUNCTION	■			
CHECK SHOCK PRESSURE, IF APPLICABLE	■			
CHECK FOR LOOSE BOLTS AND TIGHTEN, IF NECESSARY	■			
CHECK HEADSET AND TIGHTEN / LOOSEN, IF NECESSARY		■		
THOROUGHLY CLEAN PIVOT POINTS WITH A RAG (DO NOT LUBRICATE)		■		
LUBE INFINITY LINK EVERY 40 HRS. (YETI HEAVY MOLYBDENUM GREASE)		■		
REPLACE BRAKE PADS, IF NECESSARY			■	
CHECK TIRES FOR WEAR			■	
CHECK SPOKE TENSION AND RETENTION, IF NECESSARY			■	
CHECK CHAIN FOR WEAR AND REPLACE IF NECESSARY			■	
COMPLETE TUNE-UP PERFORMED BY AN AUTHORIZED YETI DEALER				■

TORQUE

Yeti strongly recommends using a torque wrench when assembling your frame. Torque specifications for individual parts on the SB5c are listed below, as well as in the step by step assembly instructions later in the manual. For general bicycle maintenance please consult the torque specifications of the manufacture's component you are adjusting.

KEY TORQUE SPECS

PART NUMBER	DESCRIPTION	TORQUE (NM)
300030151	BOLT TI MALE M6X1X12MM	7
300030057	INFINITY LINK BOLTS	12
300040454	COLLET BOLT M8	10
300040448	UPPER LINK COLLET AXLE	3.5
300040446	LOWER LINK AXLE	13
300040447	MAIN PIVOT COLLET AXLE	3.5

SHOCK SETUP

YETI TIPS

Inspect your shock for any visible damage. If oil is leaking or you notice any damage to the surfaces or seals, please contact the Fox Racing Shox service center for repair at 800.FOX.SHOX.

Shock set-up can fluctuate greatly based on the rider. The set-up guide is intended as a base line to get the rider started. Experiment with your settings to find the set-up that works best for you.



TOOLS NEEDED

- Shock Pump
- Metric Tape Measure



01. AIR PRESSURE

The main air spring controls the sag of the shock. For the SB5c to ride properly it is important to setup the shock with the correct amount of sag. The SB5c works best with 15-16MM of measured sag. To increase the sag reduce the main spring air pressure. To reduce the sag increase the main spring air pressure.

02. SAG

Once you have set your baseline air pressure you need to measure the sag. To measure the sag slide the travel indicator (O-ring) up against the shock body. With a friend supporting the bike and with the shock in "descend," sit on the saddle (do not bounce) and allow your body weight to compress the shock. Once you have compressed the shock, get off the bike and measure the distance between the shock body and the new position of the travel indicator (O-ring). This is your sag.



03. REBOUND

The rebound has 14 clicks of adjustment. The rebound knob is the red adjustment dial located above the blue compression damping adjustment lever. As a general rule, adjustments that are too fast (counter-clockwise adjustment) will produce a springy ride with excessive kick-up of the rear end causing a bucking sensation. Adjustments that are too slow (clockwise adjustment) will cause packing of the rear wheel indicated by a sluggish ride feeling ride.

Slower rebound- turn the knob clockwise
Faster rebound- turn the knob counter-clockwise



SHOCK SETUP



04. COMPRESSION DAMPING

The compression dampening has three levels of adjustment and is controlled by the blue lever on the shock. The "climb" mode engages the firmest low-speed compression setting for maximum pedaling efficiency. The "trail" mode engages a moderate low-speed compression setting for a blend of pedaling efficiency and bike control, on various riding terrain. Finally, the "descend" mode sets the low-speed compression setting to fully open, for maximum bike control and shock absorbency. This is the setting you will likely use the most on the SB5c.

05. TRAIL ADJUST

The trail adjust dial controls the "trail" mode low speed compression adjustment. It has three levels of adjustment and is controlled by the black dial on the shock body. Turning the dial clockwise increases low speed compression damping, making the shock feel stiffer under low speed compressions. Turning the dial counter-clockwise will decrease low speed compression damping, making the shock feel softer under low speed compressions. Please note this adjustment only affects the shock performance while riding in "trail" mode.

QUICK START GUIDE - CTD ADJUST

ADJUSTMENT	SETTING
AIR SPRING SETTING (PSI)	RIDER WEIGHT LESS 10 PSI
MEASURED SAG (MM)	15-16MM
REBOUND	*5 CLICKS
COMPRESSION DAMPING	BASED ON TERRAIN
TRAIL ADJUST	OPEN (DESCEND)

**All clicks are counted clockwise, rotating from the all the way out or counter - clockwise dial position.*

CABLE SETUP

YETI TIPS

The SB5c uses full length cable housing. By using full cable housing, we have eliminated break points in the line of your shifter housing. This allows riders to experience better overall shifting performance by reducing the entrance of unwanted elements such as sweat and sediment. Use of full cable housing helps prevent corrosion from the elements and keeps the shifting smoother for a longer period of time.

The staff at Yeti are sold on riding with a height adjustable seat post so we included specific cable guides for the post's line on the SB5c. Run the line from your remote along the guides on the bottom of the top tube or use out internal routing option for a clean set-up. If you haven't tried a dropper, we strongly recommend you do, as it makes trail riding even more fun.

Caution: The failure to properly route shifter housing can cause malfunction of the shift mechanism and unexpected shifting of gears.



01. REAR DERAILLEUR

The rear derailleur cable and housing leave the shifter and go around the non-drive side of your head tube. The housing should be secured to the center slot on your cable guides on the top of the down tube. Run the housing down the top of the down tube in the center slot. From the last down tube cable guide the housing will pass between the rear shock mount and the upper link and connect to the 1st cable guide on the bottom of the drive side seat stay. *Leave enough of a bend here to allow for free suspension movement. Secure the housing to all three guides down the seat stay. After the last guide route the housing outside the seat stay to the derailleur. *Leave enough of a curve here to keep the housing from kinking and binding your shifting.



02. FRONT DERAILLEUR

The front derailleur housing routes down the bottom of the top tube. After the last guide the housing will pass between the seat tube and the swingarm and connect to the derailleur.



03. INTERNAL DROPPER ROUTING

Your Internally routed dropper post housing runs down the drive side of the down tube cable guides and through the port just above the Switch Infinity Link. *Each seat post has its own installation instructions. Please follow the installation instructions that come with your specific seat post.



04. REAR BRAKE

The rear brake housing will route from the brake around the non-drive side of the head tube to the non-drive side of the down tube cable guides. If your brake is already bled and cut to the proper length it may be easier to remove the front shock mount to get the cable in place. From the last guide on the down tube the housing will run between the rear shock mount and the upper link to the first guide on the bottom of the non-drive side seat stay. *Leave enough of a bend here to allow for free suspension movement. Secure the housing to all three guides down the seat stay. After the last guide the housing will run inside the seat stay to the brake caliper.



FRAME ASSEMBLY

YETI TIPS

Make sure your tools are in good condition. A worn allen key can round the hex on a bolt not allowing for proper torque.

Torque settings are listed throughout the instructions. It is also important to prep all bolt threads. The instructions denote whether to use a Loctite compound or grease.

Warning: Service on Yeti bicycles requires special knowledge and tools. Yeti Cycles recommends that all service and repairs be performed by an authorized Yeti Dealer

TOOLS NEEDED

- Dead blow hammer
- 2.5mm allen key
- Two - 5mm allen keys
- Two - 6mm allen keys
- 10mm allen key
- Guide pin tool
- Lock ring pliers
- Grease
- Blue (248) Loctite
- Pink (222) Loctite



01.

All the parts you need to assemble the SB5c.

02.

Secure your front triangle in a work stand using a 30.9 seat post. Make sure you have all your tools easily accessible and ready to use.



03.

Slip washers onto and apply blue (248) Loctite to the 4 bolts that secure the Switch Infinity Link to the frame. Insert them into their place and hang the black Infinity link fitting washers from them. Place them with the flat side toward the opening.



04.

Insert the Infinity Link from the non-drive side. The Infinity logo should be up and the Fox logos facing the non-drive side. Rock the link into place capturing the black fitting washers. Make sure that they have not slipped or rotated. The flat end of the fitting washers must be facing the opening in the frame.





05.

While holding the link in place lightly tighten the bolts. You want them to snug so that the link does not move and so that the fitting washers are fully captured, but don't try to torque them by hand!



06.

Using a well calibrated torque wrench finish tightening the Switch Infinity link bolts.

Torque to 12nm



09.

Apply pink Loctite to the threads on the lower link axle cap. Install and tighten the cap into the lower link axle with two 5mm allen wrenches.

Torque to 13nm.



10.

Prep the main pivot axle with pink (222) Loctite on the threads and a small dab of grease on the shaft. Slide the swingarm into place. Align the main pivot (in the Switch Infinity Link) first. Install the main pivot axle from the non-drive side of the frame.



07.

Slide the upper link over the lower pivot axle hole on the front triangle. Ensure the Switch Infinity logo faces the front of the frame.



08.

Grease the lower link axle and install it through the link from the drive side of the frame. Use a dead blow hammer to gently tap the axle into place if necessary.



11.

Prep the upper link axle with pink (222) Loctite on the threads and a small dab of grease on the shaft. Place a rag behind the upper link to prevent it from damaging the paint. Align the upper link pivot by sliding the swingarm up or down on the Infinity Link. Once aligned, insert the upper link axle from the non-drive side.



12.

Using a 10mm Allen wrench, tighten the main pivot axle.

Torque to 3.5Nm





13.

Using the 10mm Allen wrench, tighten the upper link axle. Keeping the rag in place behind the upper link to prevent paint damage.

Torque to 3.5nm



14.

Using a 5mm Allen wrench, install the collet bolts into the non-drive side of the main pivot axle and the upper link axle.

Torque to 14nm



15.

Install the shock using two Fox guide pins and remove the rag from behind the upper link.



16.

Using the guide pins insert the female shock mounting sleeves from the drive side. Prep the male bolts with blue (248) Loctite. Using two 5mm Allen wrenches tighten the front and rear shock mounts.

Torque both bolts to 7nm



17.

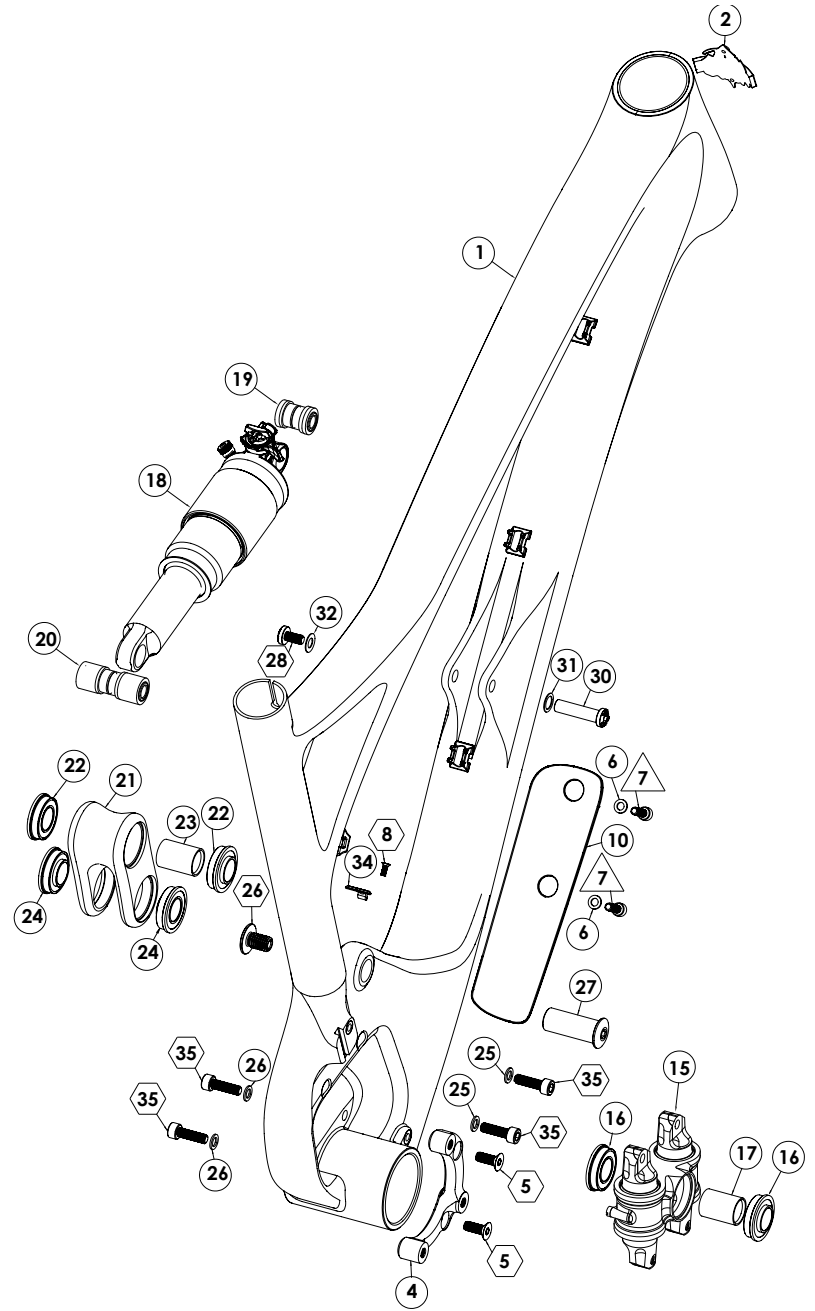
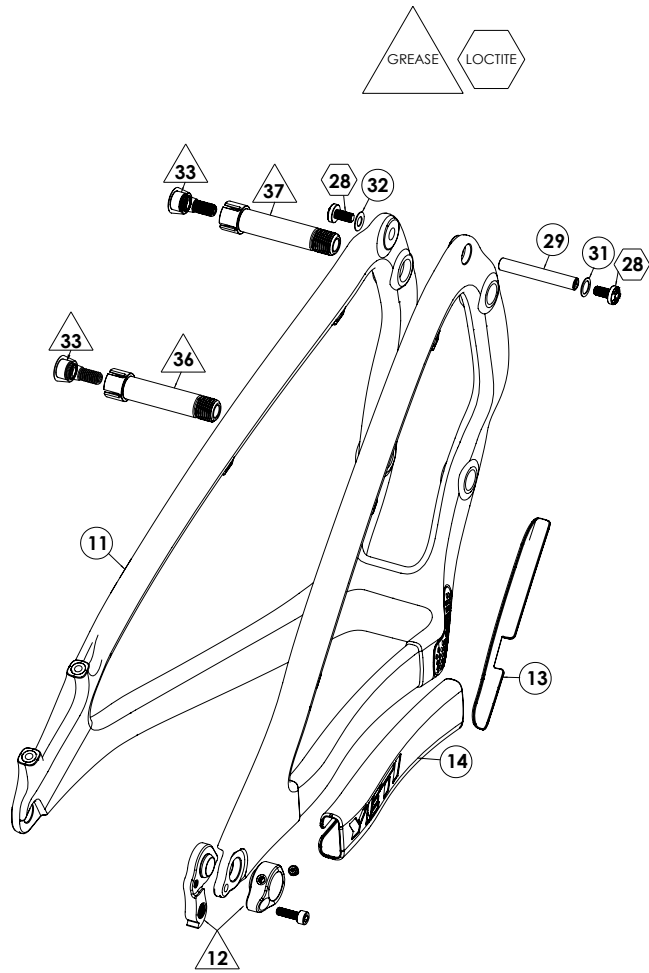
Your bike comes with two cover options for the internal seat post routing. If you are not using an internally routed dropper post, install the blank cover. If you are using an internally routed dropper post, thread the cover with the hole in it over your seat post cable housing. Do not secure the cover until the post installation is complete.



18.

Install the internal seat post cable routing cover. Choose the blank if you are not using an internally routed post. If you are using an internally routed dropper post, thread the cover with the hole in it over your cable housing before installing the post. Secure it after the post installation is completed.

EXPLODED VIEW



EXPLODED VIEW PARTS LIST

ITEM#	PART #	DESCRIPTION	QTY
1	N/A	FRONT TRIANGLE SB-5C	1
2	300070006	ICE AXE HEAD BADGE	1
3	300060067	YETI SEAT CLAMP QR	1
4	300040443	ISCG BOLT-ON SB-5C	1
5	300030246	BOLT FLAT [M6X1X16MM]	2
6	300030148	WASHER 5.1X8.9X1MM	2
7	300030010	BOLT-CAP H20 (M5 X 0.8 X 16MM)	2
8	300030215	BOLT FLAT HEAD (M3X0.5X8)	1
9	300040473	PORT DROPPER BLANK SB-5C	1
10	400100098	PROTECTOR DT SB-5C	1
11	N/A	SB-5C SWINGARM	1
12	300060070	12X142 HANGER STD KIT 13	1
13	400100101	PROTECTOR SS SB-5C	1
14	400100100	PROTECTOR CS SB-5C	1
15	200020201	SWITCH INFINITY LINK	1
16	300020045	BEARING F6902 2RS MAX - OUT	2
17	233-00-202	FOX LINEAR BEARING 15MM AXLE SPACER	1
18	N/A	FOX CTD-ADJ 7.875 X 2.0 SHOCK	1
19	214-09-006	FOX MOUNT KIT 21.84MM	1
20	214-09-035	FOX MOUNT KIT 44.856MM	1
21	300040445	LINK SB-5C	1
22	300020045	BEARING F6902 2RS MAX - OUT	2
23	300030248	SPACER 15MM X 25.75MM	1
24	300020046	BEARING F6902 2RS MAX - IN	2
25	300030214	WASHER (10X6.2X1MM)	4
26	300030271	CAP AXLE 15MM, M10X1.5 THREAD	1
27	300040446	AXLE 15MM X 37.8, M10X1.5 THREAD	1

ITEM#	PART #	DESCRIPTION	QTY
28	300030151	BOLT-TI-MALE M6X12.0MM	3
29	300030154	STUD YETI TI FEMALE 8.0OD X 54.5MM, M6	1
30	300030249	BOLT YETI TI FEMALE 8.0OD X 31.5MM, M6	1
31	300030069	WASHER 8.8X12.5X0.5 MM	2
32	300030062	WASHER 6.5X12.5X0.5 MM	2
33	300040454	COLLET-WEDGE SUB-ASSEMBLY	2
34	300040444	PORT DROPPER SB-5C	1
35	300030057	BOLT-CAP (M6 X 1 X 20 MM)	4
36	300040447	COLLET_AXLE_15X52.5SX12T_M15X1.5	1
37	300040448	COLLET_AXLE_15X53.5SX14.0T_M15X1.5	1

REBUILD KITS

PART #	DESCRIPTION	QTY
200020226	SB5-C MASTER REBUILD KIT	
300020045	BEARING F6902 2RS 28X15X7 OUT	4
300020046	BEARING F6902 2RS 28X15X7 IN	2
300030057	BOLT CAP M6X1X20	4
300030062	WASHER SS 6.5MM ID 12.5 OD .5M	2
300030069	WASHER SS 8.8MM ID 12.5MM OD .	2
300030151	BOLT-TI-MALE M6X12MM	3
300030154	STUD-TI-FEMALE 8X54.5MM	1
300030214	WASHER 10 X 6.2 X 1	4
300030215	M3X.5X8 FLAT HEAD BOLT	1
300030248	SPACER 15X25.75MM	1
300030249	BOLT-TI-FEMALE 8.0OD M6X31.5M	1
300030271	CAP AXLE M10X1.5X15	1
300040444	PORT DROPPER SB5-C	1
300040446	AXLE 15MM X 37.8, M10X1.5	1
300040447	COLLET_AXLE_15X52.5SX12T	1
300040448	COLLET_AXLE_15X53.5SX14.0T	1
300040454	COLLET-WEDGE ASSEMBLY GEN2	2
300040473	PORT DROPPER SB5-C BLANK	1
200020228	SB5-C BEARING KIT	
300020045	BEARING F6902 2RS 28X15X7 OUT	4
300020046	BEARING F6902 2RS 28X15X7 IN	2
300030248	SPACER 15X25.75MM	1

PART #	DESCRIPTION	QTY
200020227	SB5-C HARWARE KIT 2014	
300030057	BOLT CAP M6X1X20	4
300030062	WASHER SS 6.5MM ID 12.5 OD .5M	3
300030069	WASHER SS 8.8MM ID 12.5MM OD .	3
300030151	BOLT-TI-MALE M6X12MM	3
300030154	STUD-TI-FEMALE 8X54.5MM	1
300030214	WASHER 10 X 6.2 X 1	4
300030215	M3X.5X8 FLAT HEAD BOLT	1
300030249	BOLT-TI-FEMALE 8.0OD M6X31.5M	1
300030271	CAP AXLE M10X1.5X15	1
300040444	PORT DROPPER SB5-C	1
300040446	AXLE 15MM X 37.8, M10X1.5	1
300040447	COLLET AXLE 15X52.5SX12T	1
300040448	COLLET AXLE 15X53.5SX14.0T	1
300040454	COLLET-WEDGE ASSEMBLY	2
300040473	PORT DROPPER SB5-C BLANK	1
400100125	SB5-C FRAME PROTECTOR KIT	
400100098	PROTECTOR DOWNTUBE SB5-C	1
400100100	PROTECTOR CHAINSTAY SB-5C	1
400100101	PROTECTOR SEATSTAY SB-5C	1
200020229	SB5-C CABLE GUIDE KIT	
200020230	SB5-C ISCG 05 KIT	
200020231	INFINITY LINK AND HARDWARE	
200020199	LINK SUB-ASSEMBLY SB5-C	

WARRANTY

YETI LIMITED (5) FIVE YEAR FRAME WARRANTY

(applies to SB4.5c / SB5c / Beti SB5c / SB6c / ASRc / Beti ASRc)

Yeti Cycles will repair or replace, at its option, any frame it determines to be defective due to defective materials and/or workmanship. The (5) one year limited warranty is conditioned upon the bicycle being ridden under normal conditions and having been properly maintained. This warranty does not apply to the components attached to the frameset such as suspension components, wheels, drive train, brakes, seatpost, handlebar and stem. This warranty applies only to the original owner and is non-transferable. This warranty is void if the bicycle was not properly assembled by an authorized Yeti dealer.

YETI LIMITED (2) TWO YEAR FRAME WARRANTY

(applies to ARC-C / ASR 5-C / ASR 5-A / SB66-A / SB66-C / SB95 / SB95 -C / SB75 / 575 / ARC / Big Top 29'r)

Yeti Cycles will repair or replace, at its option, any of the above listed frames it determines to be defective due to defective materials and/or workmanship. The (2) five year limited warranty is conditioned upon the bicycle being ridden under normal conditions and having been properly maintained. This warranty does not apply to the components attached to the frameset such as suspension components, wheels, drive train, brakes, seat post, handlebar and stem. This warranty applies only to the original owner and is non-transferable. This warranty is void if the bicycle was not properly assembled by an authorized Yeti dealer.

ADDITIONAL CONDITIONS

These limited warranties do not apply to normal wear and tear, nor to claimed defects, malfunctions or failures that result from abuse, neglect, improper assembly, improper maintenance, alteration, collision, crash or misuse. The original owner shall pay all labor charges connected with the repair or removal of all components. Under no circumstance does this limited warranty include the cost of travel or shipment to and from an authorized Yeti dealer. In order to exercise your rights under these limited warranties, the bicycle or frameset must be presented to an authorized Yeti dealer, together with proof of purchase.

**The above warranties have been in effect since July 2014. For warranty information on Yeti frames sold prior to that date please consult that model's manual or your local authorized dealer.*

NO FAULT REPLACEMENT POLICY

Yeti Cycles will make replacement parts available at a minimum charge to the original owner in the event of a crash or any other non-warranty situation. Yeti Cycles does this at its sole discretion and reserves the right to refuse this offer.

PRODUCT LIFE CYCLE

Every YETI frameset has a useful product life cycle. The length of that useful product life cycle will vary depending on the construction and the materials of the frameset, maintenance and care the frameset receives, and the amount and type of use the frameset is subjected to over its life. YETI recommends that an authorized YETI dealer should inspect the frame for stress annually. Frame stress could cause potential failure and the signs are usually apparent in the form of cracks, fracture lines, deformation, dents, and any other visual indicators of abnormality. These safety checks for frame stress are important to prevent accidents, injury to the cyclist, and product failure of a YETI frameset.

DISCLAIMER

YETI Cycles is not responsible for any damages to you or others arising from riding, transporting or other use of your bicycle. In the event that your frame breaks or malfunctions, YETI Cycles shall have no liability or obligation beyond the repair or replacement of your frame pursuant to the terms outlined in the warranty.

**If you have a warranty concern, please contact your authorized Yeti dealer.*

YETI CYCLES

621 Corporate Circle, Unit B
Golden, CO 80401

(p) 303-278-6909

(f) 303-278-6906

www.yeticycles.com

BUSINESS HOURS

Monday-Friday

8AM-11:30AM, 1:00PM-5:30PM

(Mountain Time)